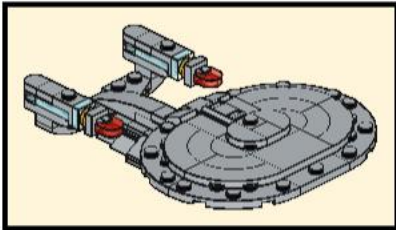
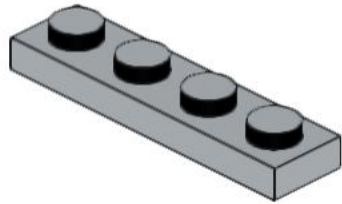
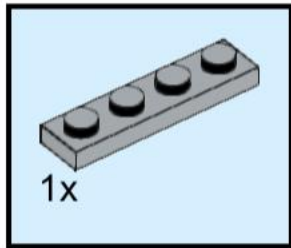




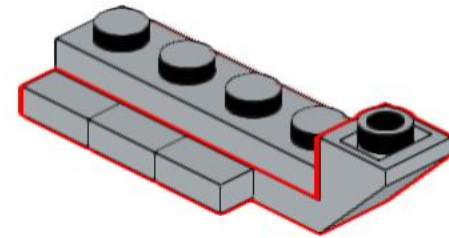
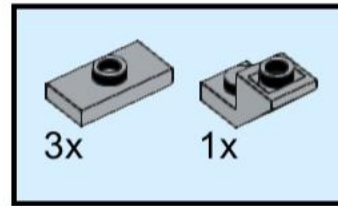
Mini Enterprise D & Type 15 Shuttlepod



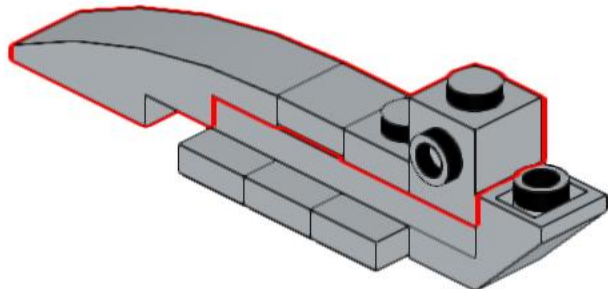
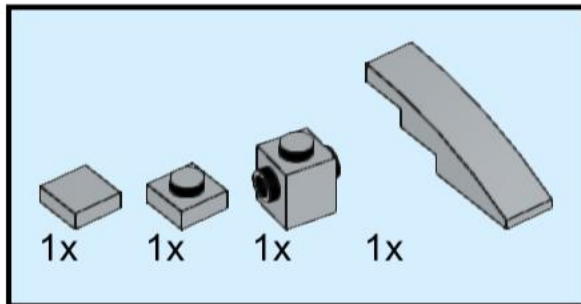
1



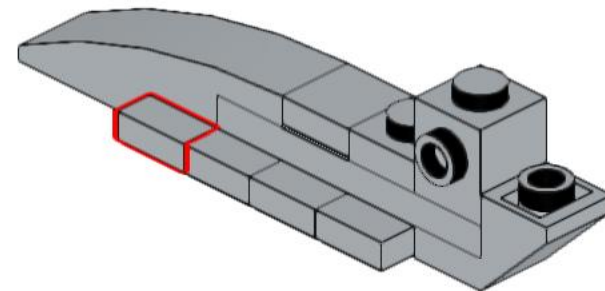
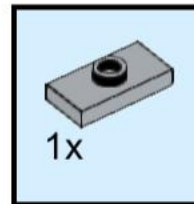
2



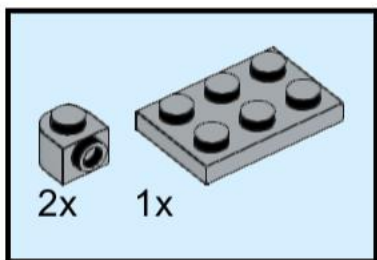
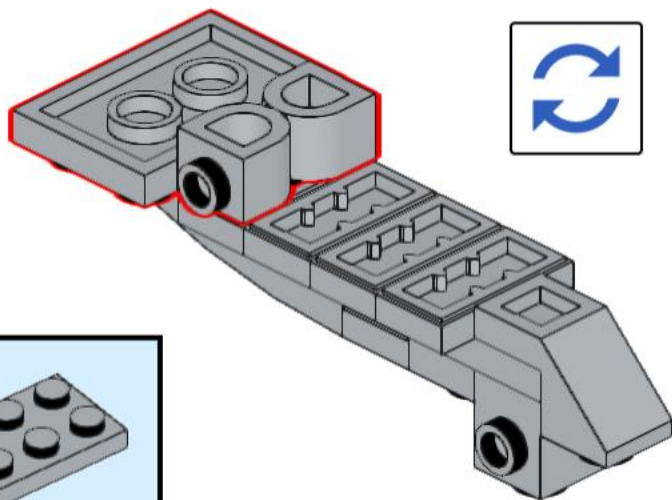
3



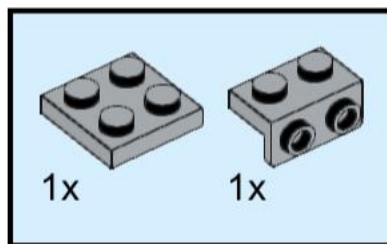
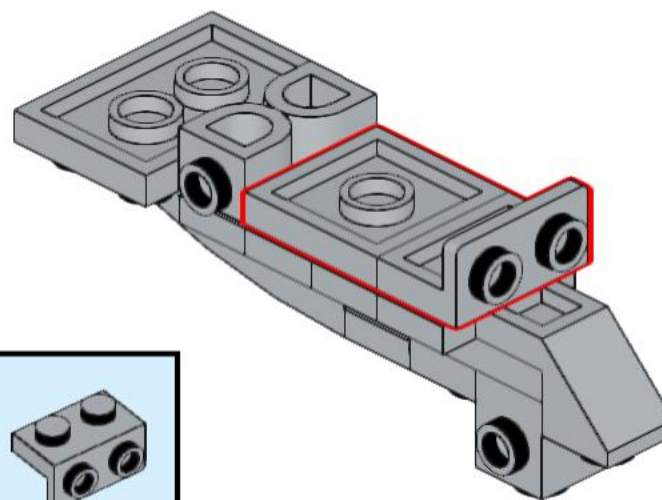
4



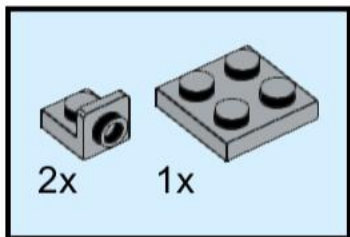
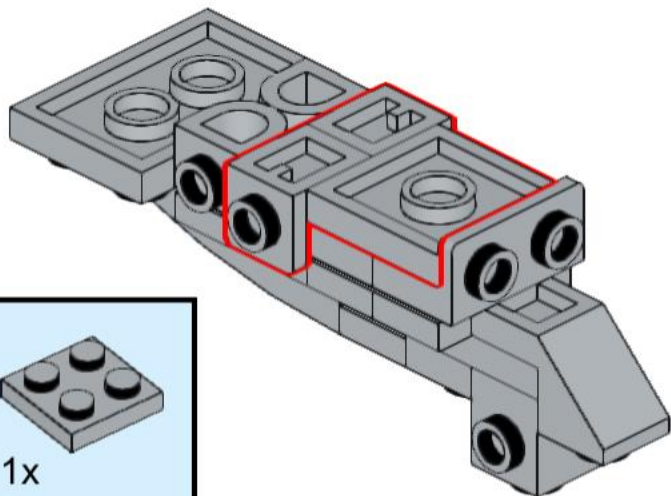
5



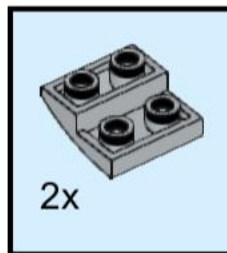
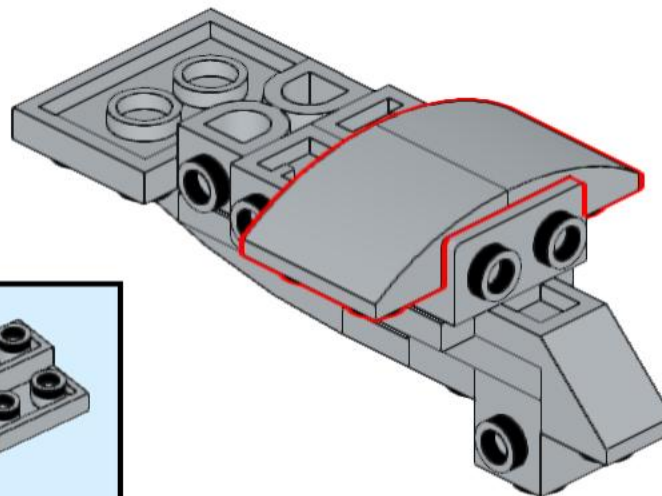
6



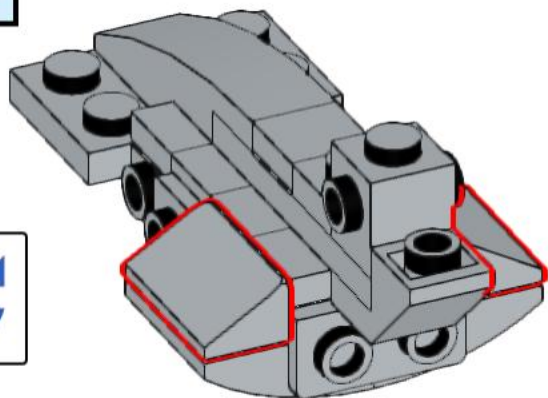
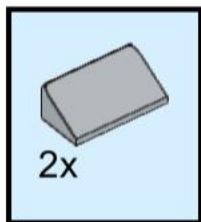
7



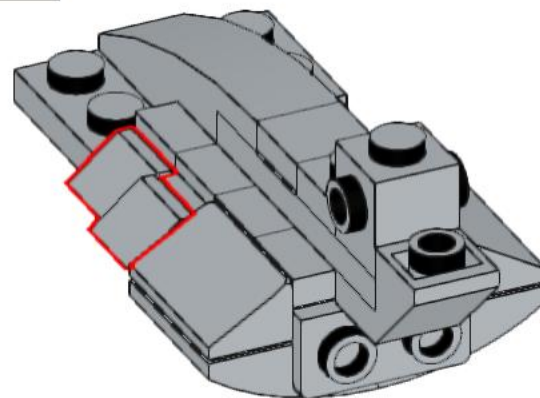
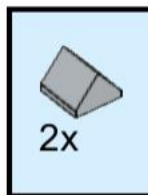
8



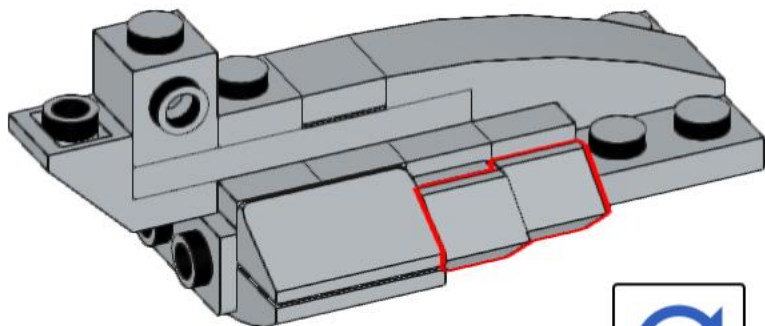
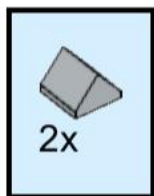
9



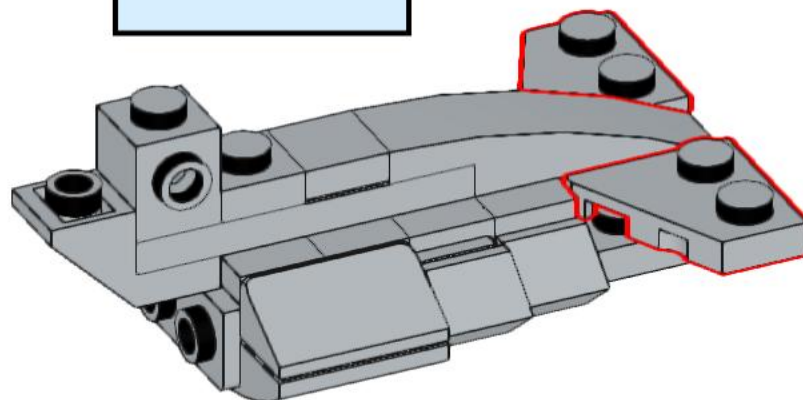
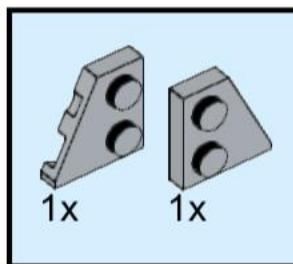
10



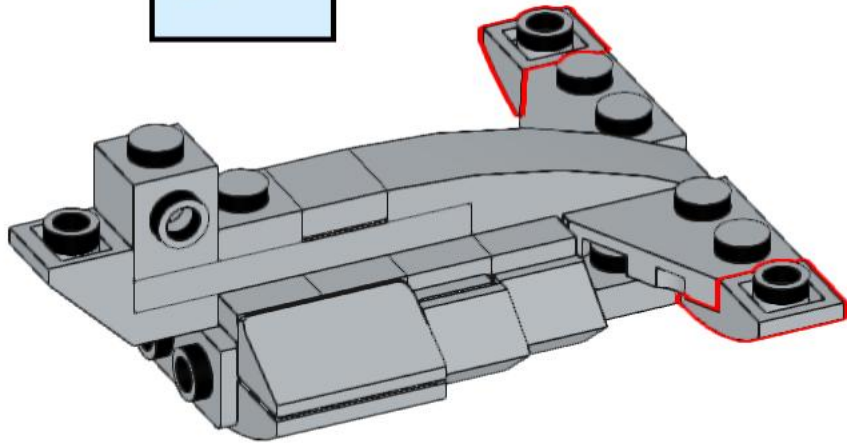
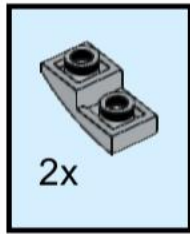
11



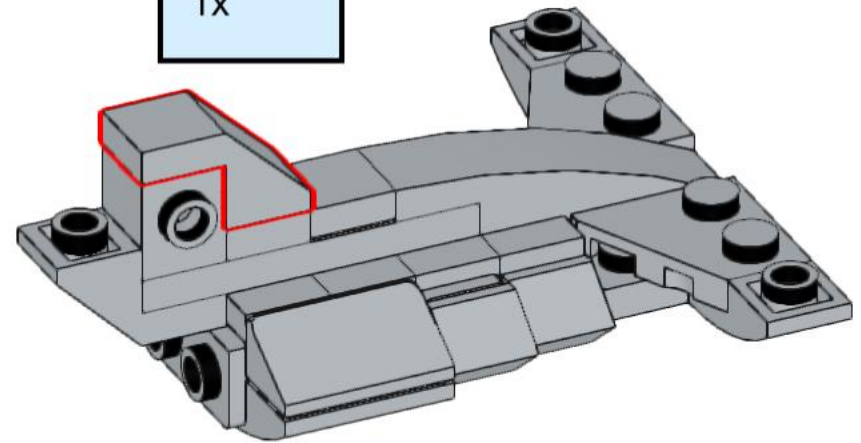
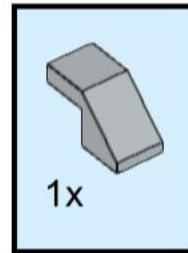
12



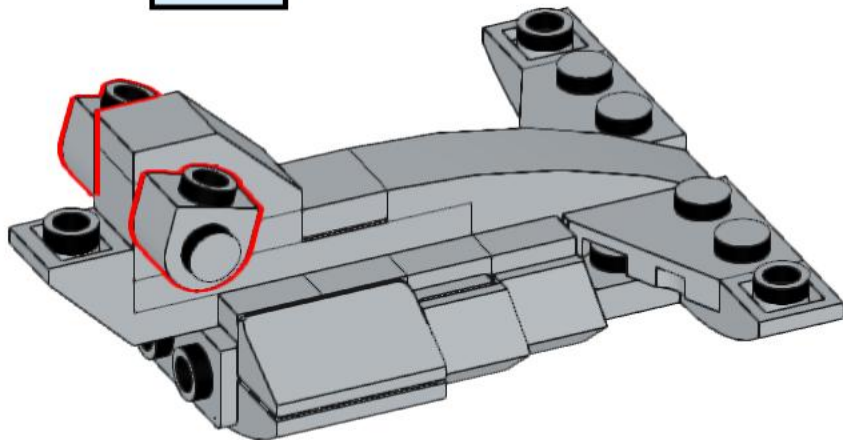
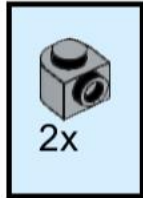
13



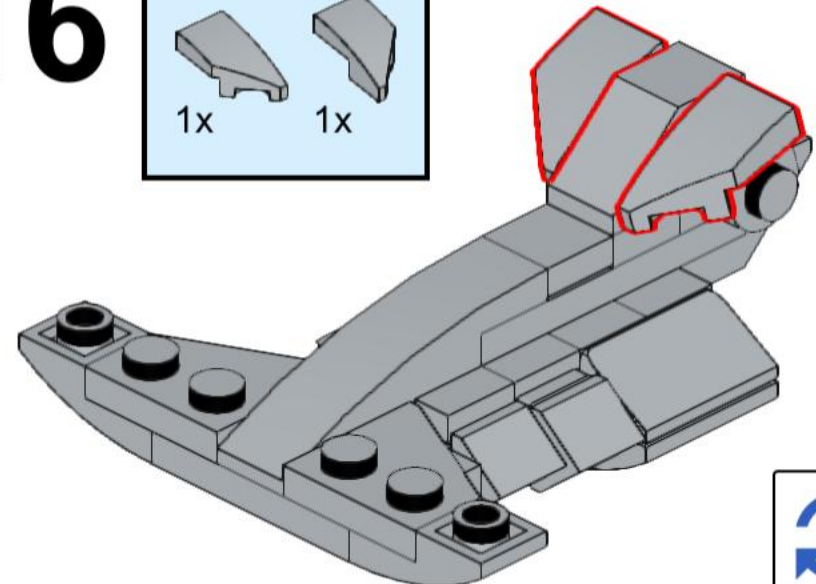
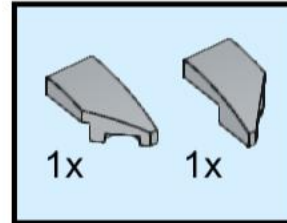
14



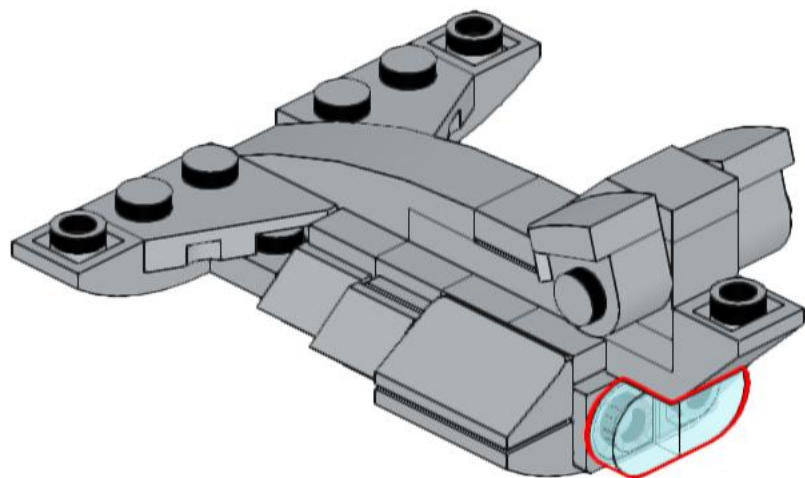
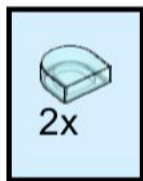
15



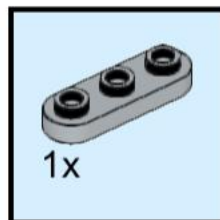
16



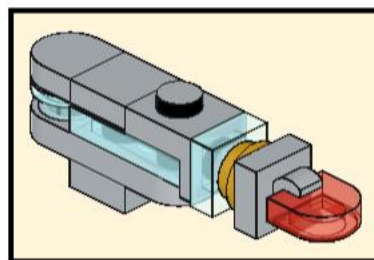
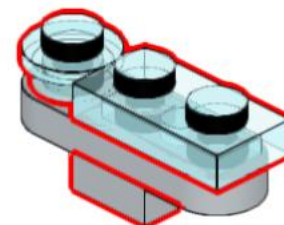
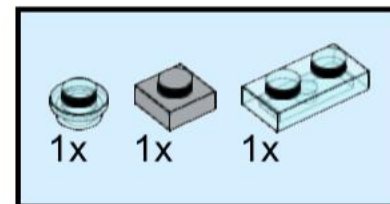
17



18

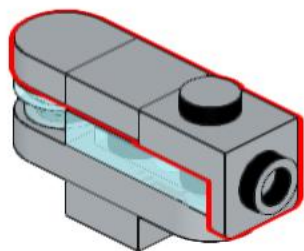
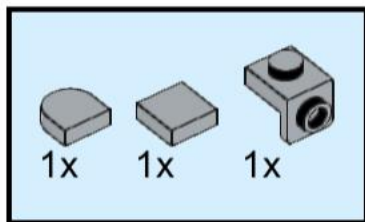


19

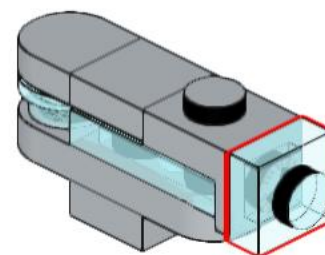
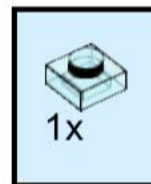


2x

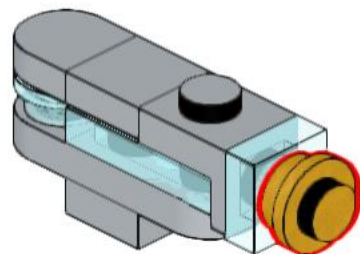
20



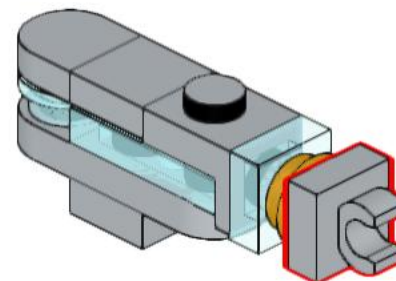
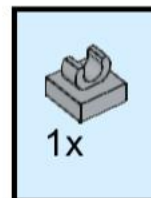
21



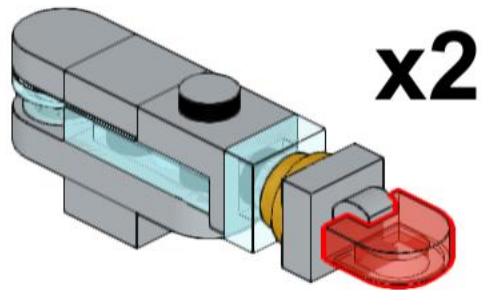
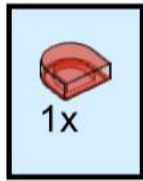
22



23

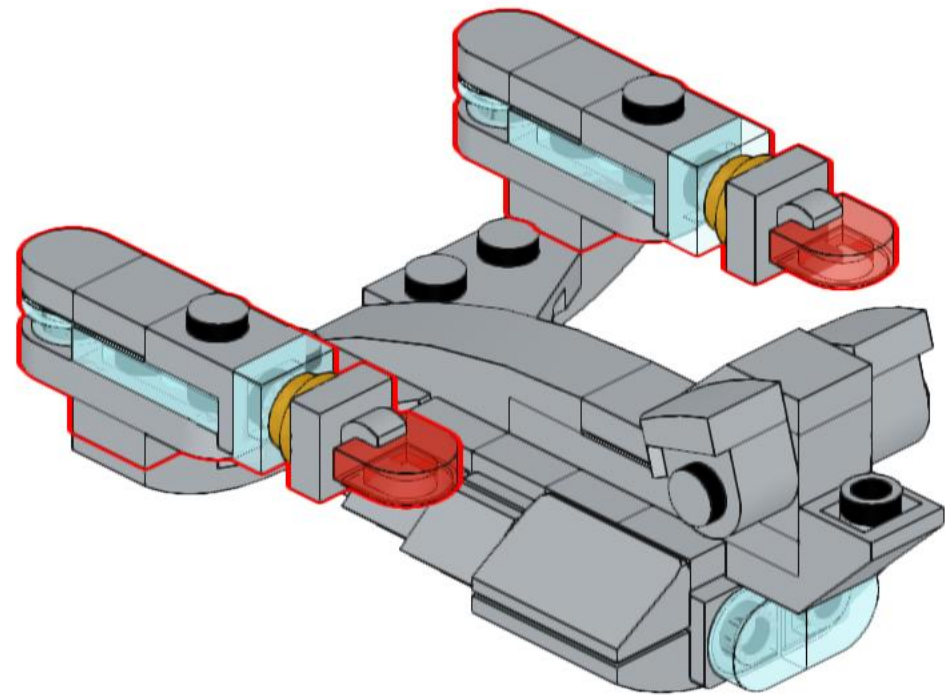


24



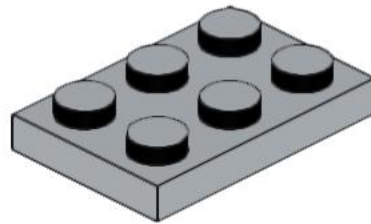
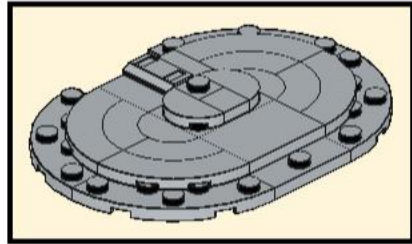
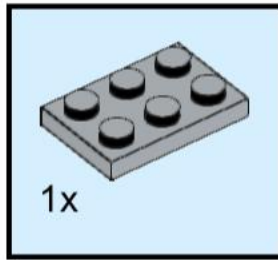
x2

25

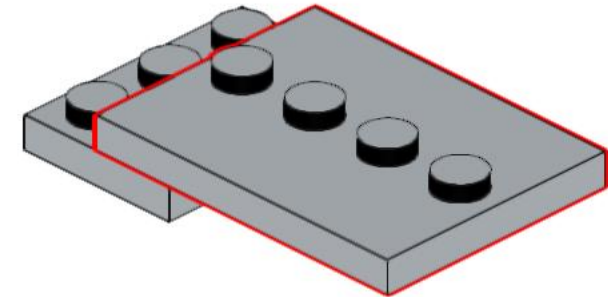
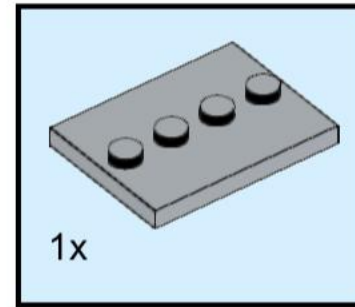


Pro tip! To get all of the small elements that make up these Warp Nacelles lined up nice and neat, use a flat surface like a table top to squish everything into alignment super quickly and easily!

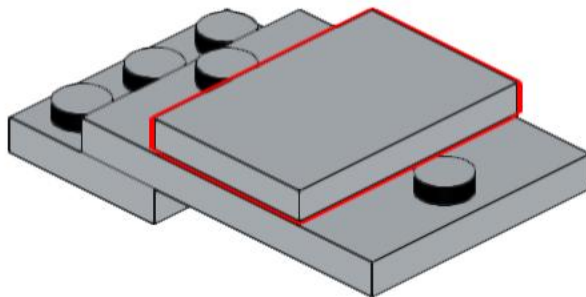
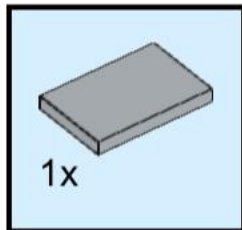
26



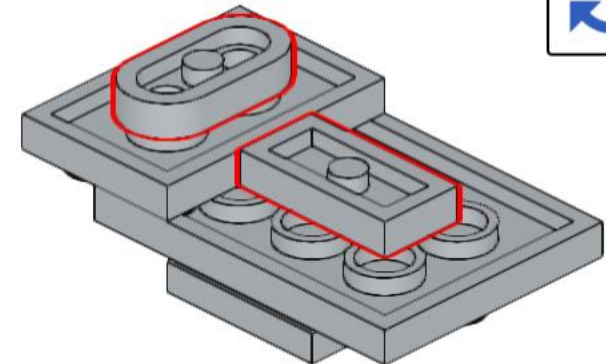
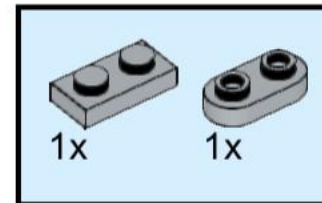
27



28

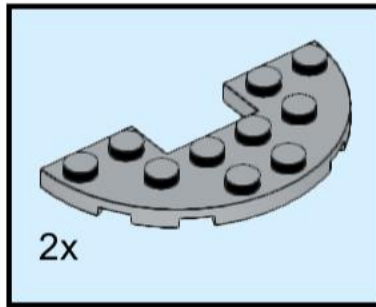


29

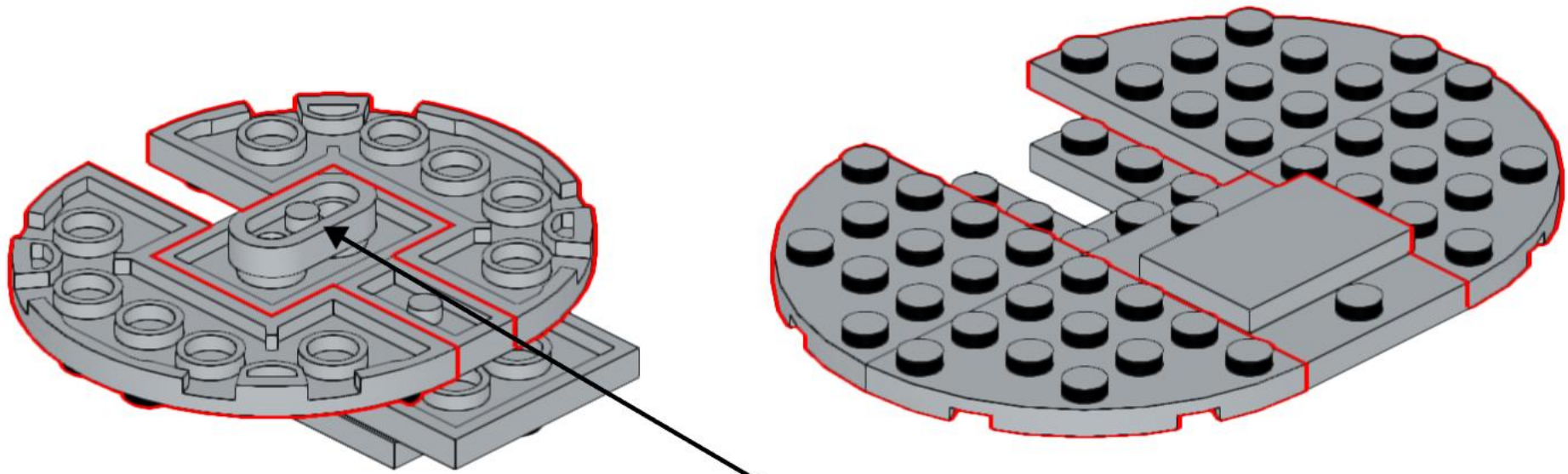
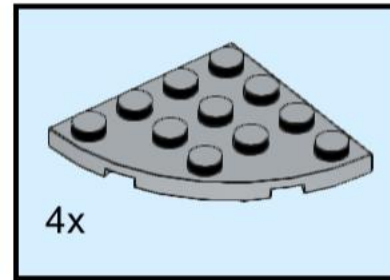


Fun fact! Throughout the 176 TV episode/4 movie run of TNG we only see the saucer separation manoeuvre performed 4 times; in the very first episode Encounter at Farpoint, twice more throughout the series and finally in Star Trek Generations which sees the Enterprise D meet it's end - until Georgi gets busy fixing her up of course!

30



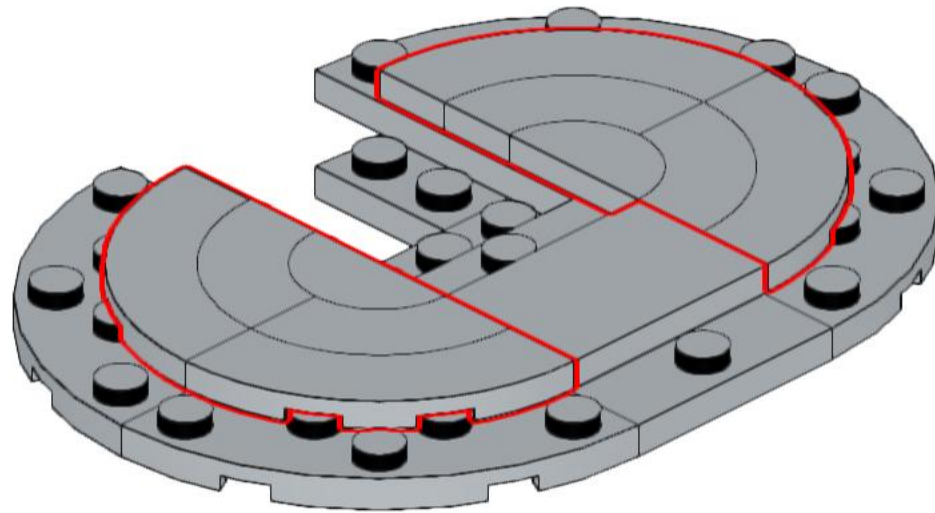
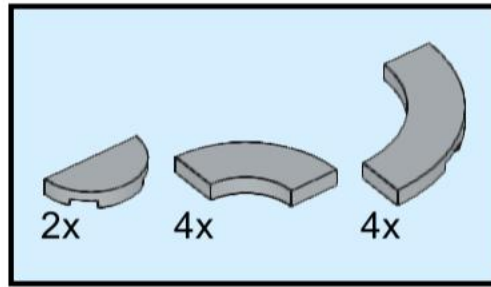
31



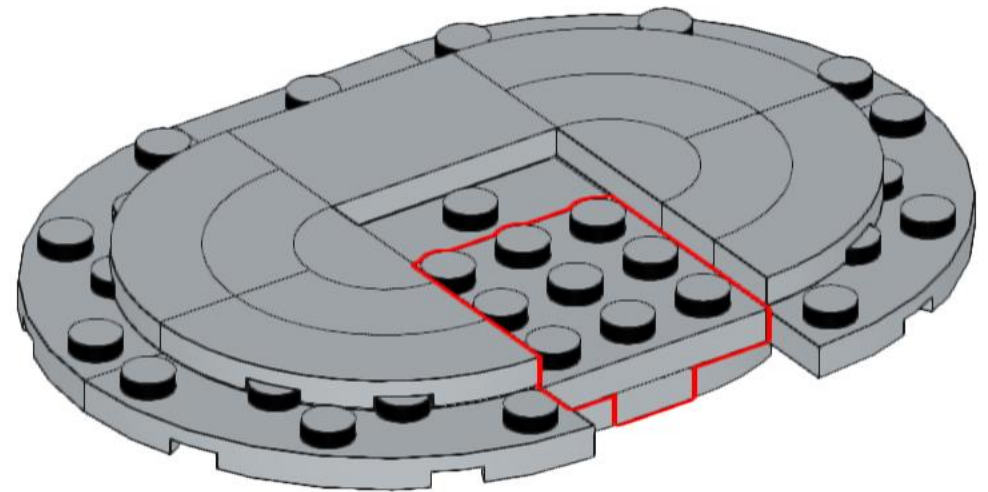
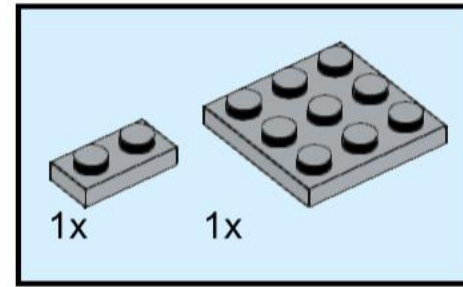
Fun fact! The inner part of this 1x2 circular plate is intended to represent The Calypso Captain's Yacht, an oval shaped craft that is never seen on screen in any of the movies or the TV series, but which has been detailed in technical manuals of the Enterprise D!



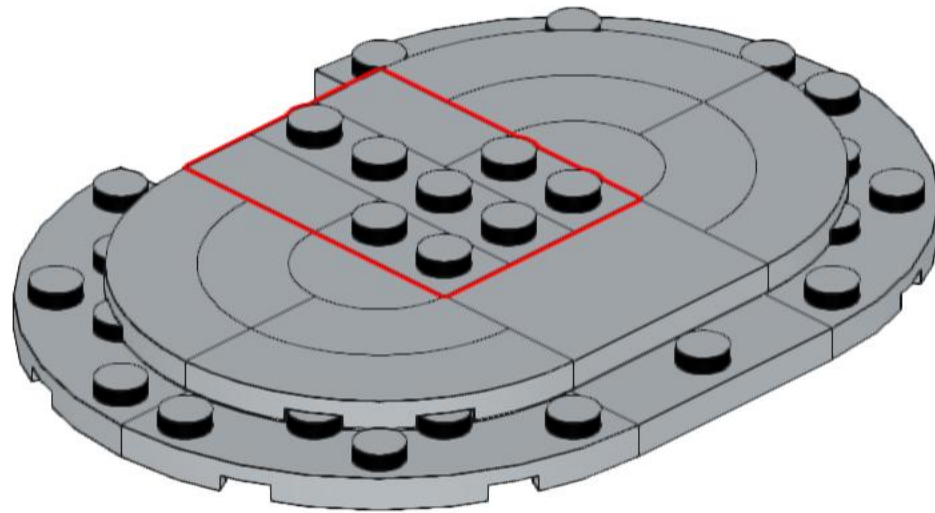
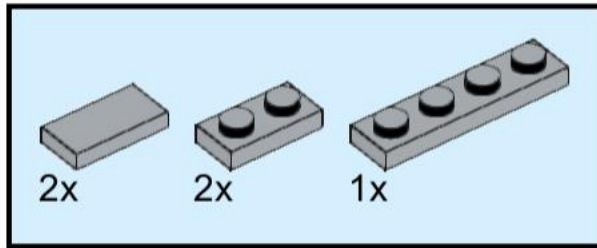
32



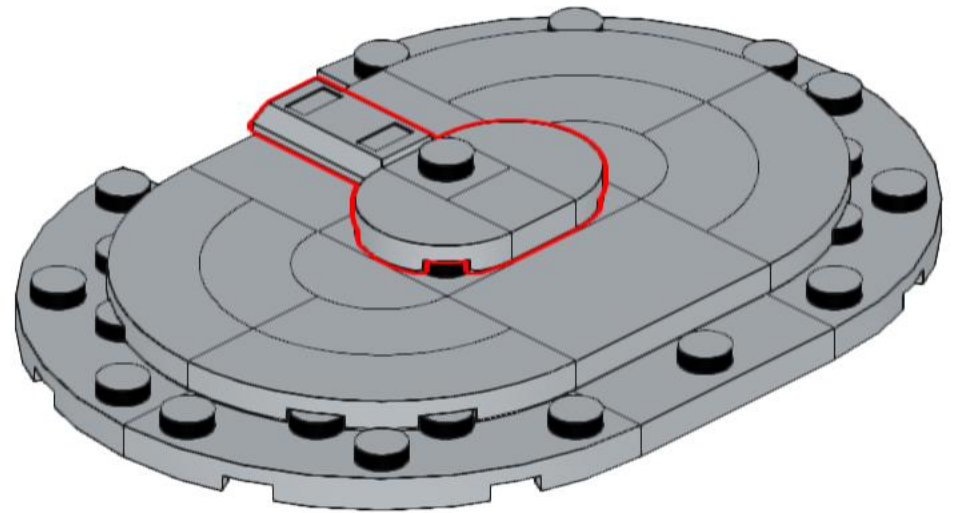
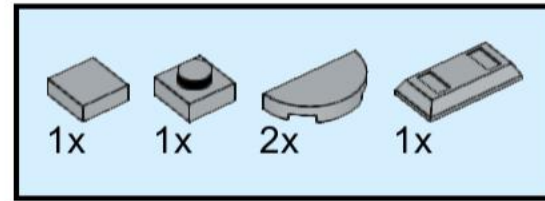
33



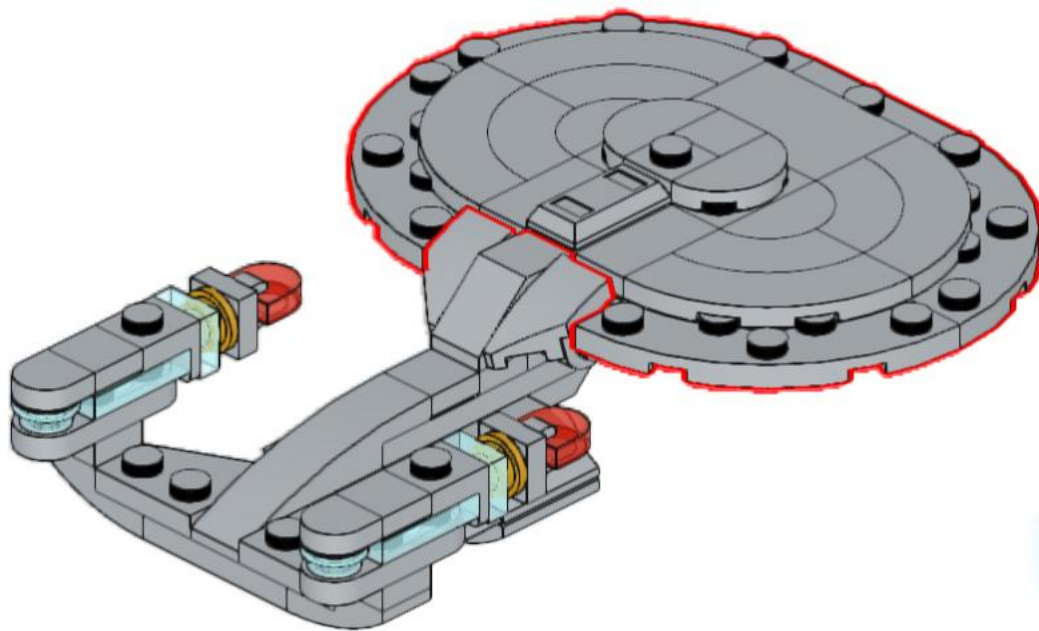
34



35

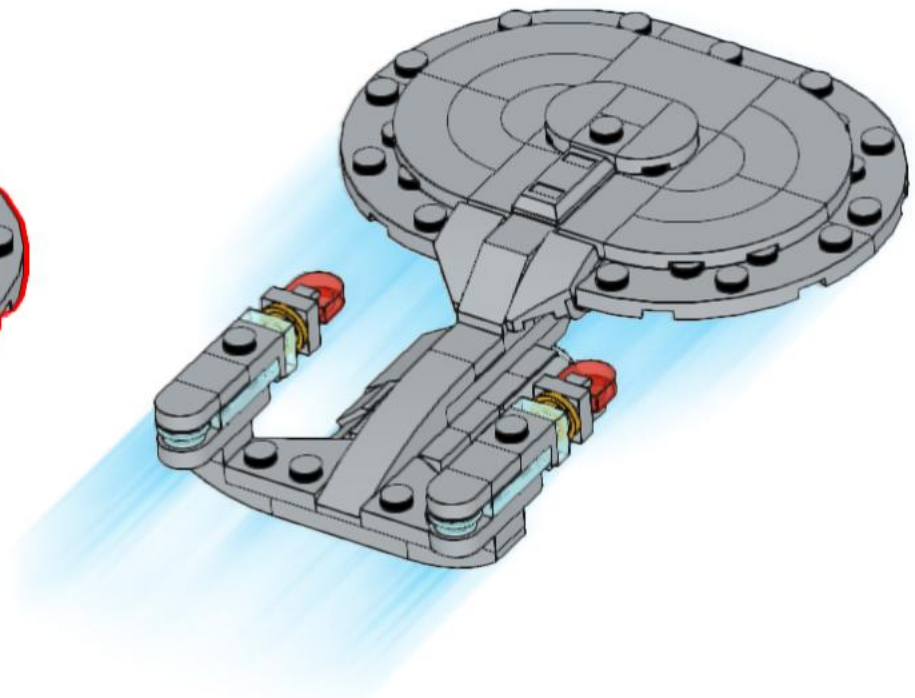


36



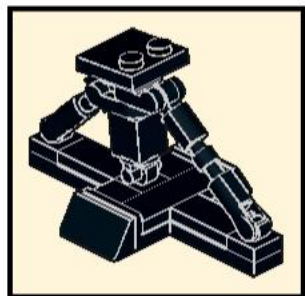
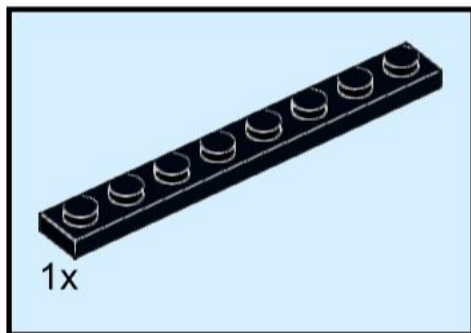
37

Enterprise complete...

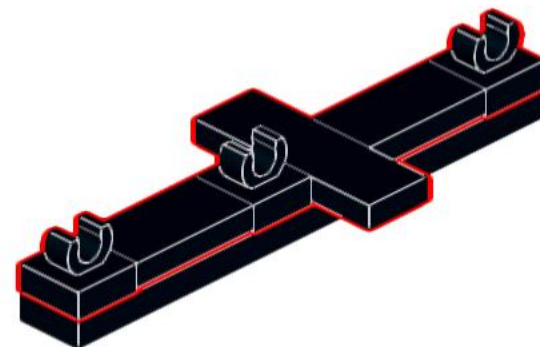
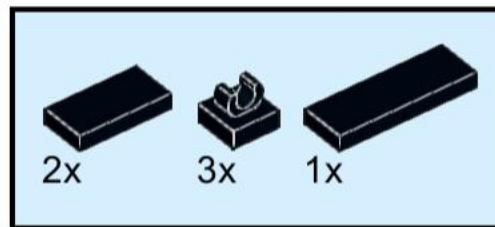


...Now to the stand!

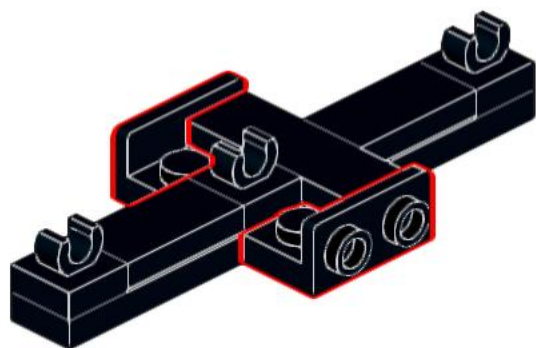
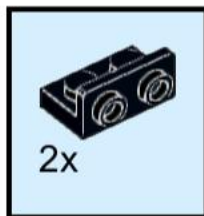
38



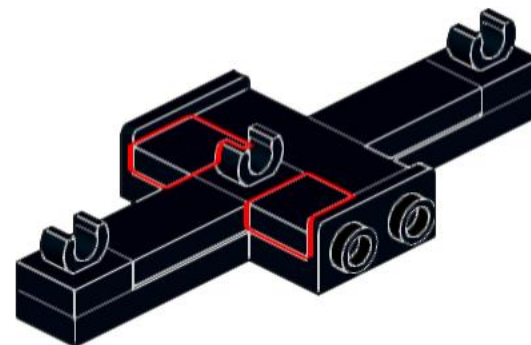
39



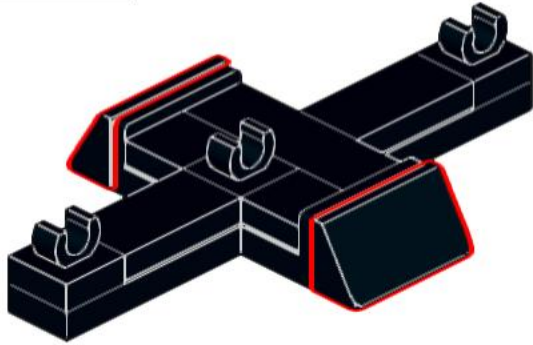
40



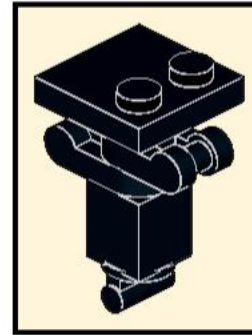
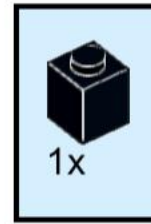
41



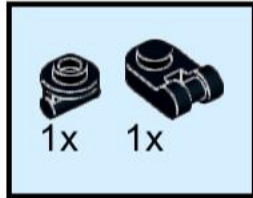
42



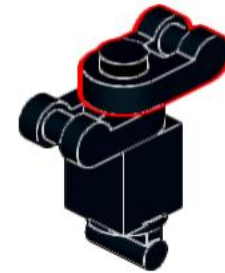
43



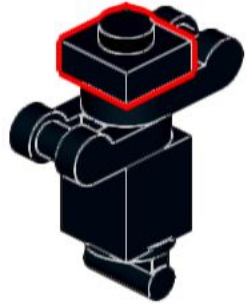
44



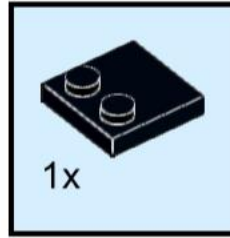
45



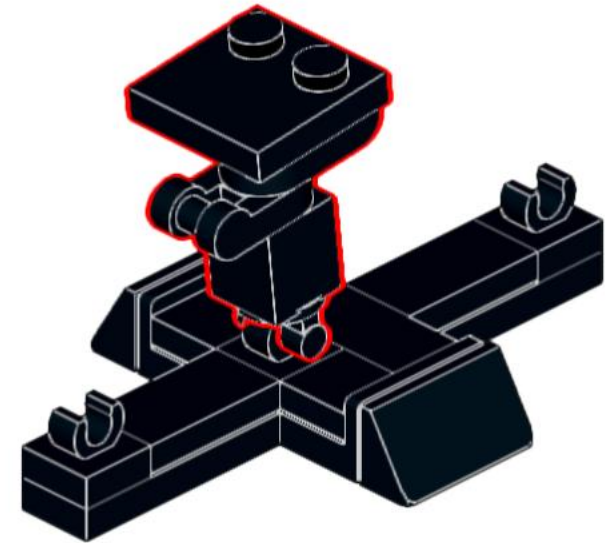
46



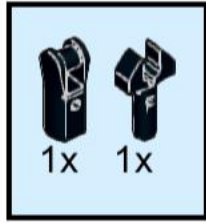
47



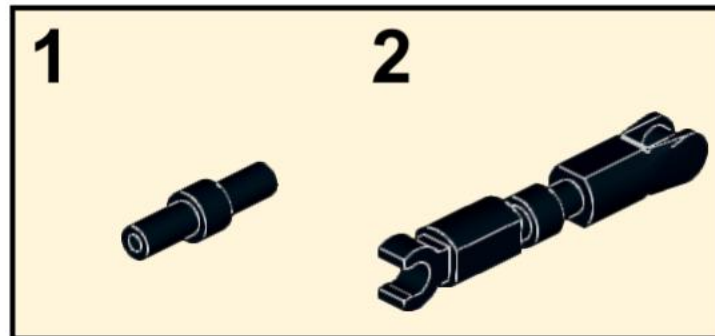
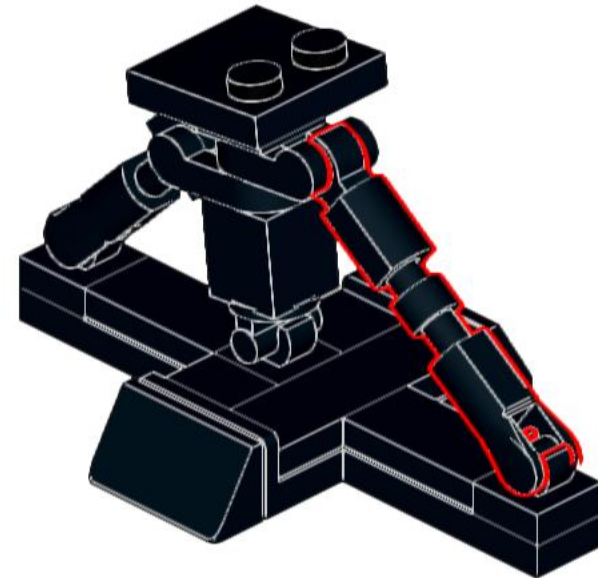
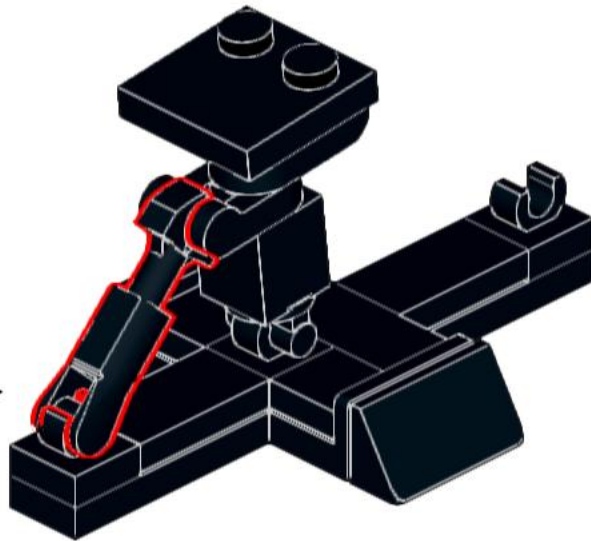
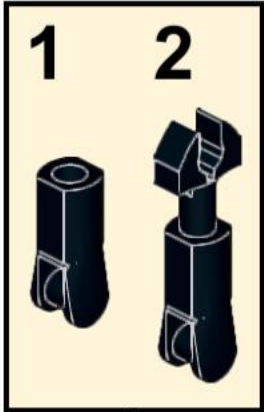
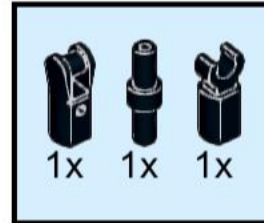
48



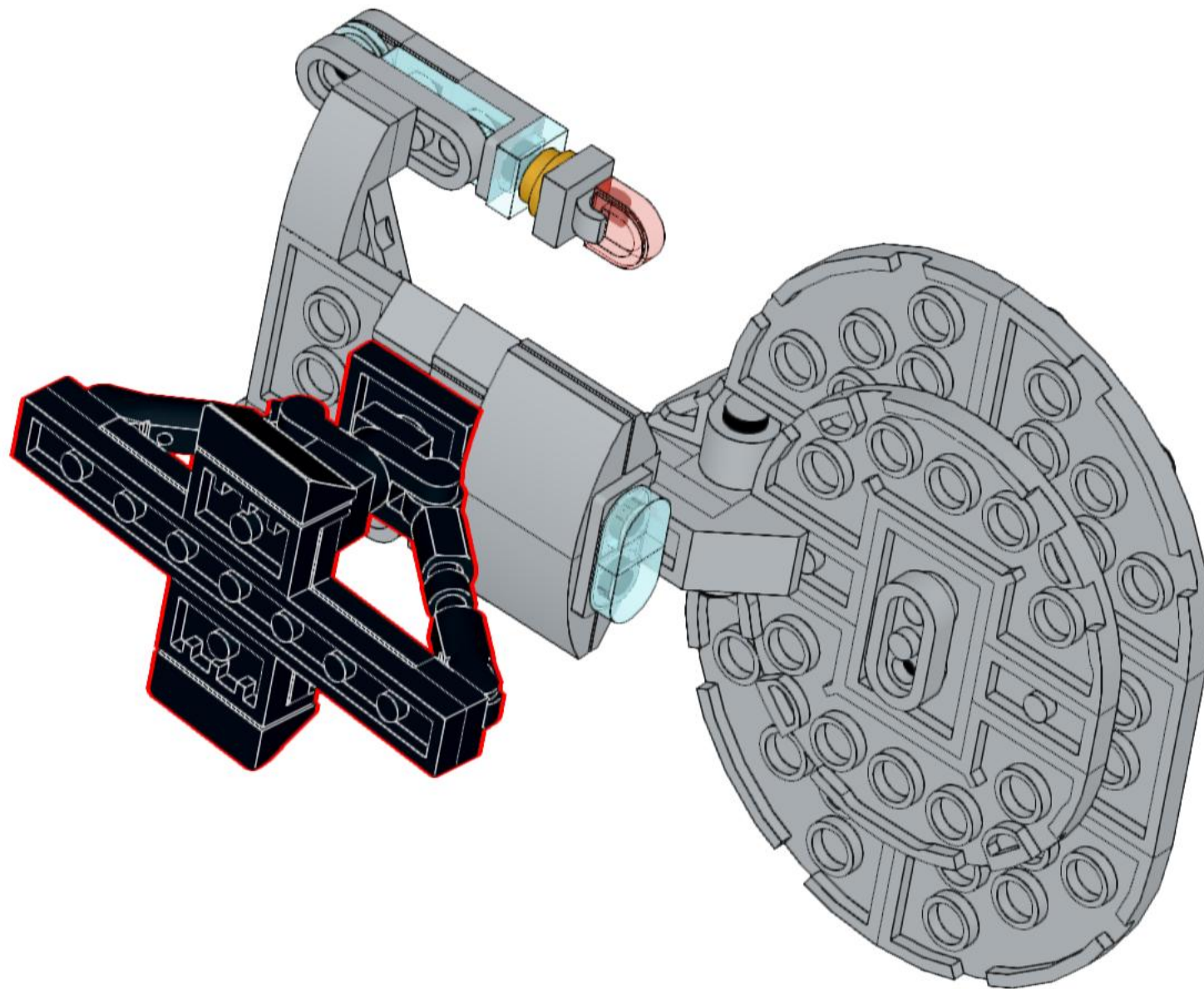
49



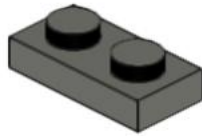
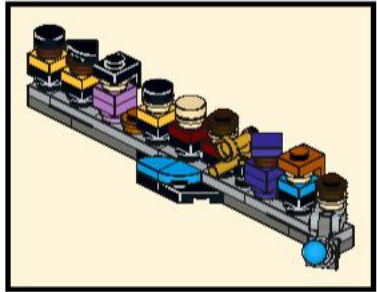
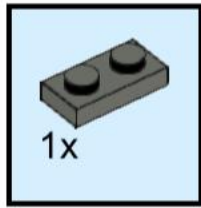
50



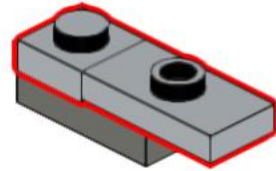
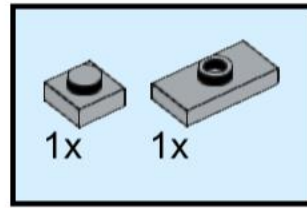
51



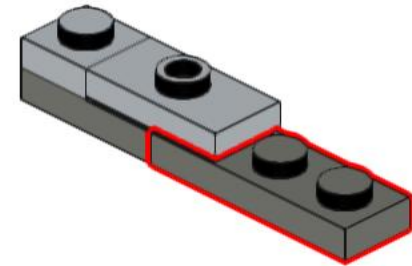
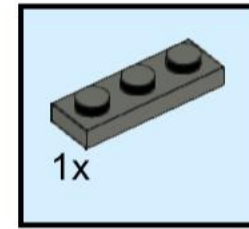
52



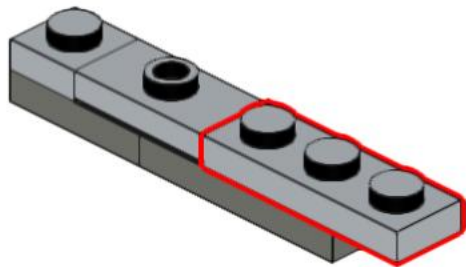
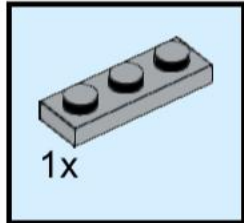
53



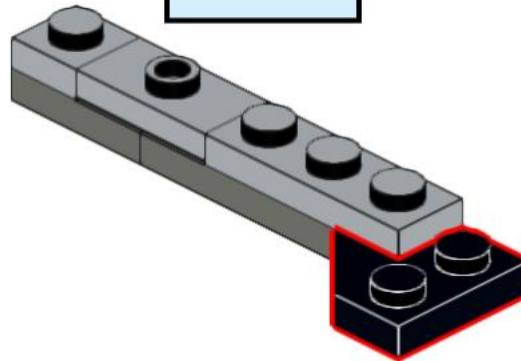
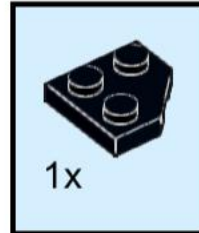
54



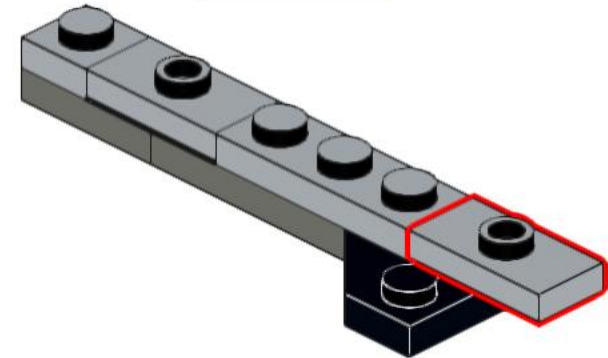
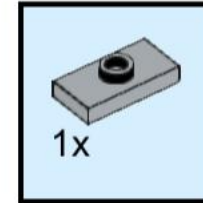
55



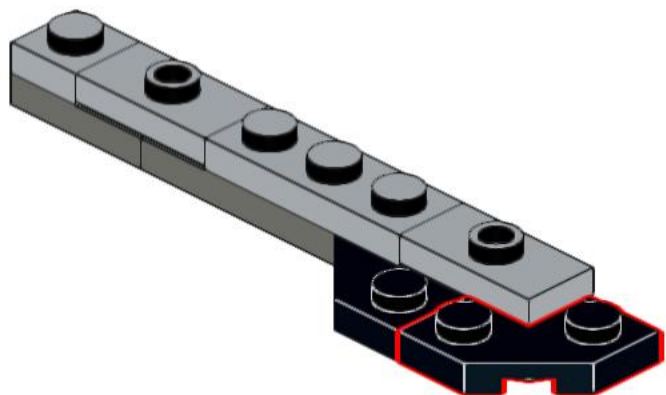
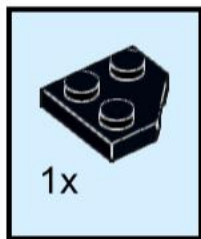
56



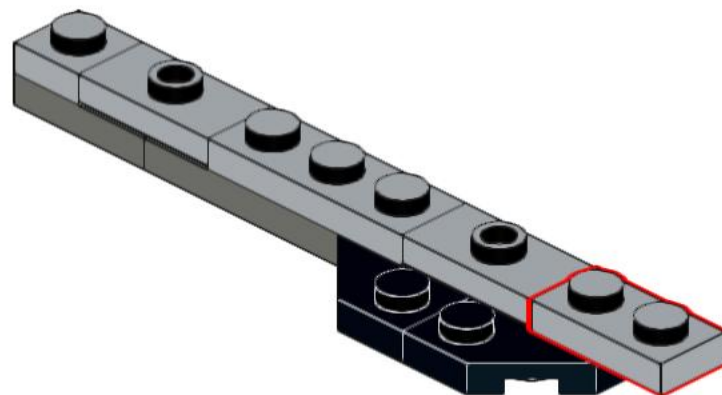
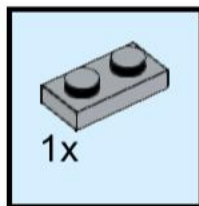
57



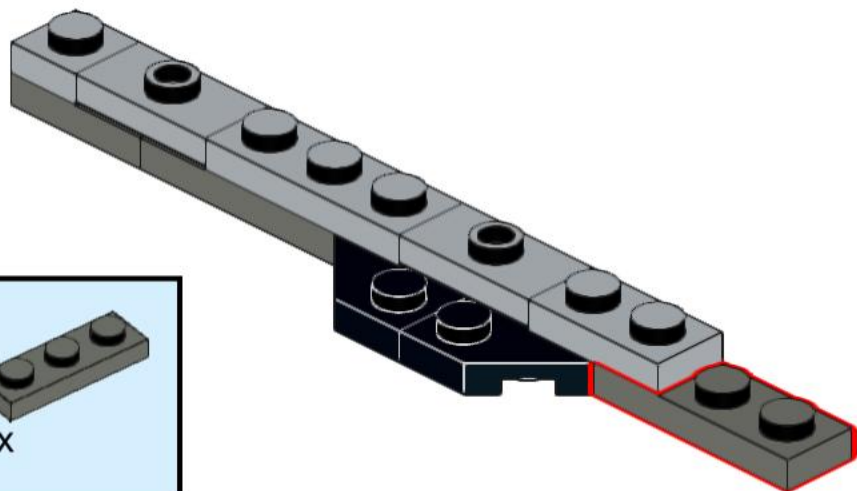
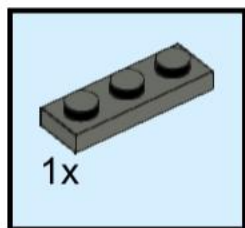
58



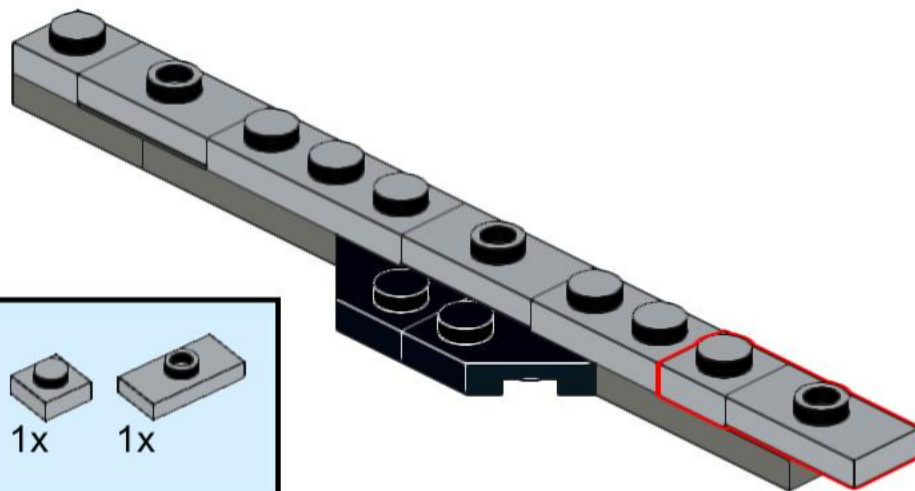
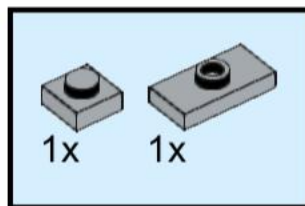
59



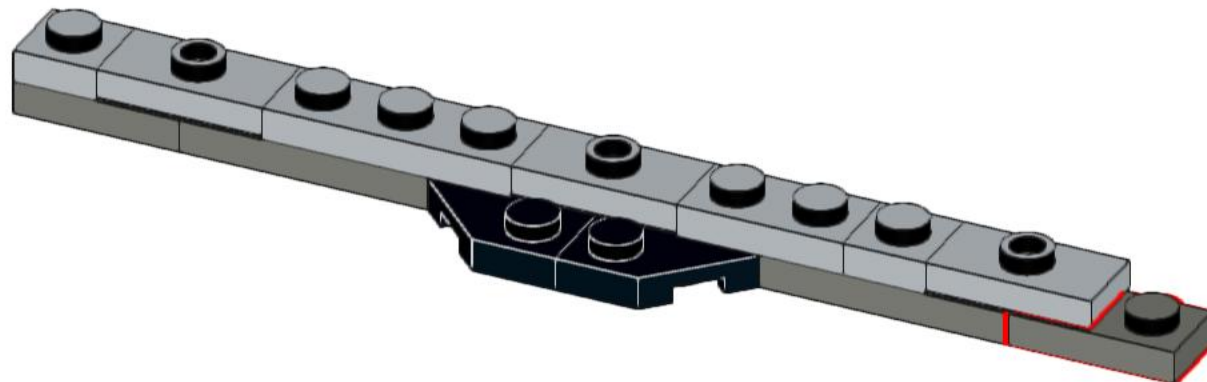
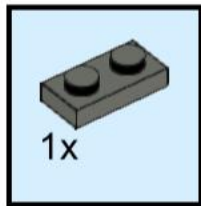
60



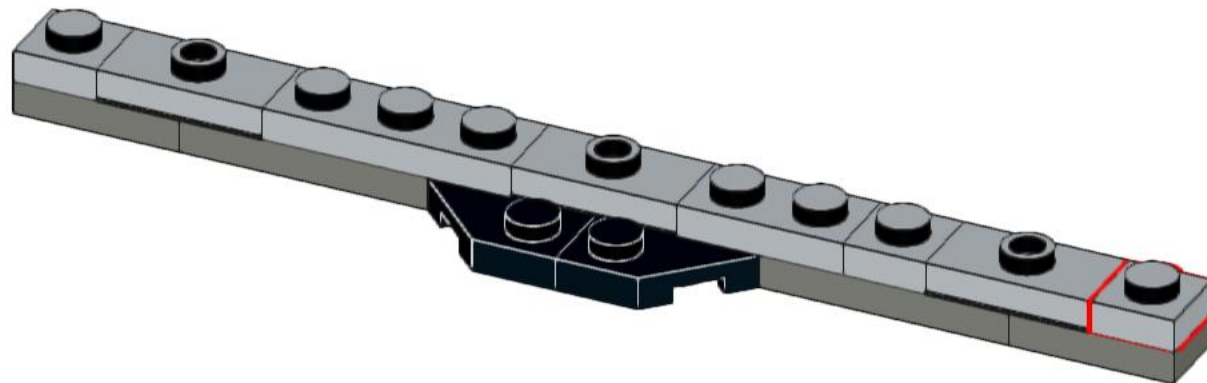
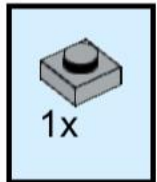
61



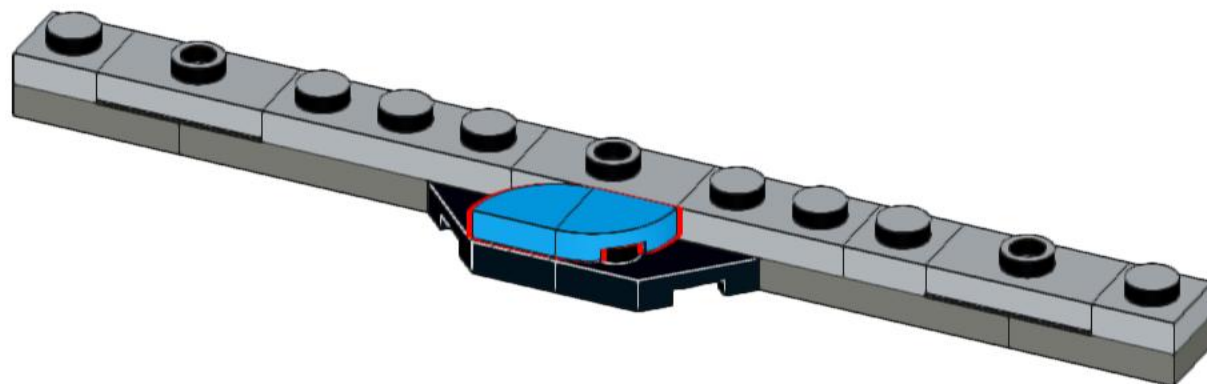
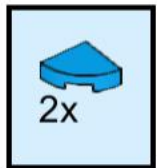
62



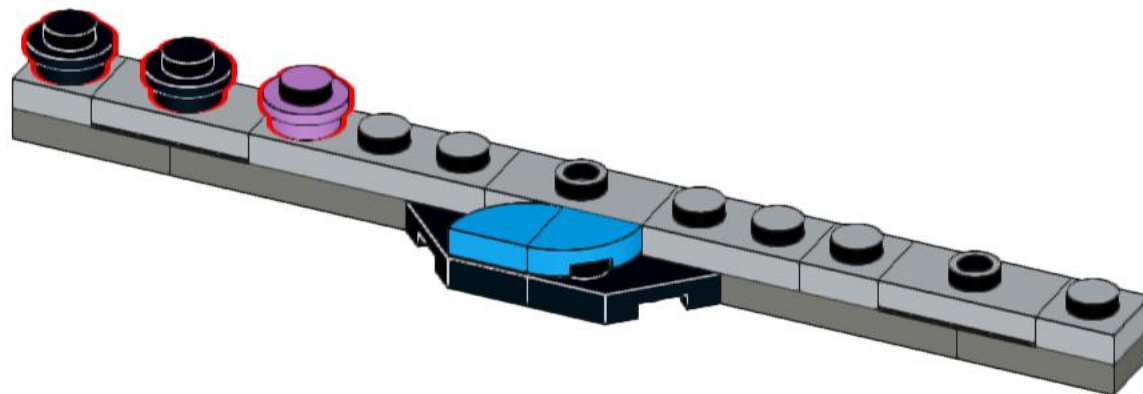
63



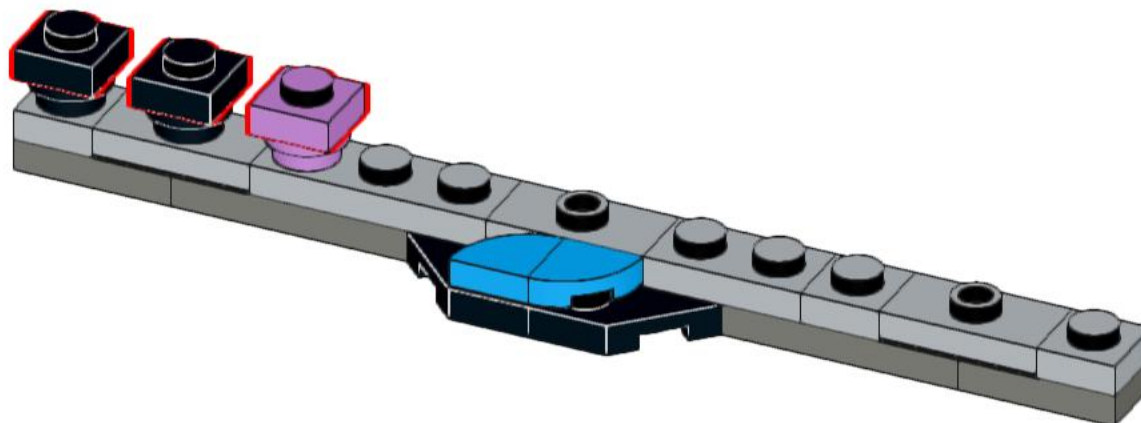
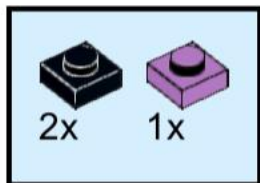
64



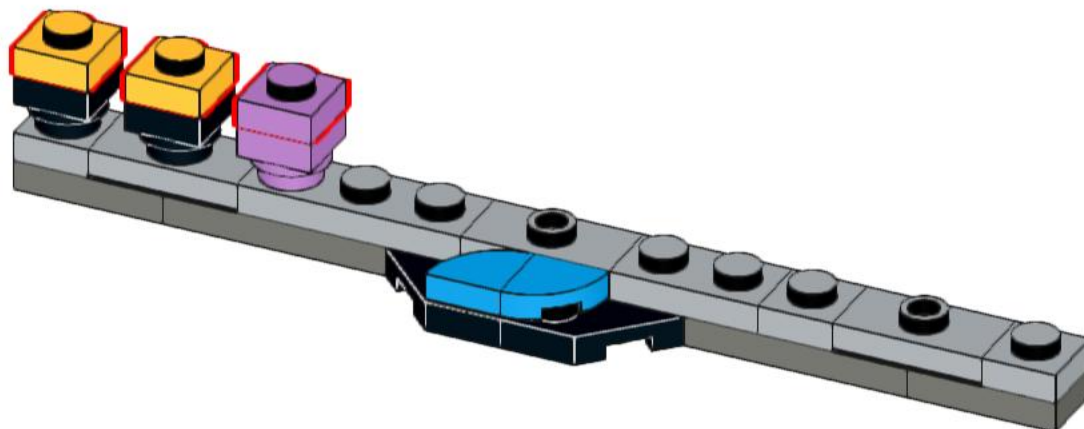
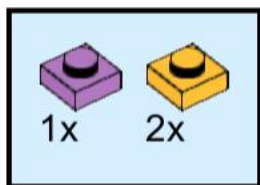
65



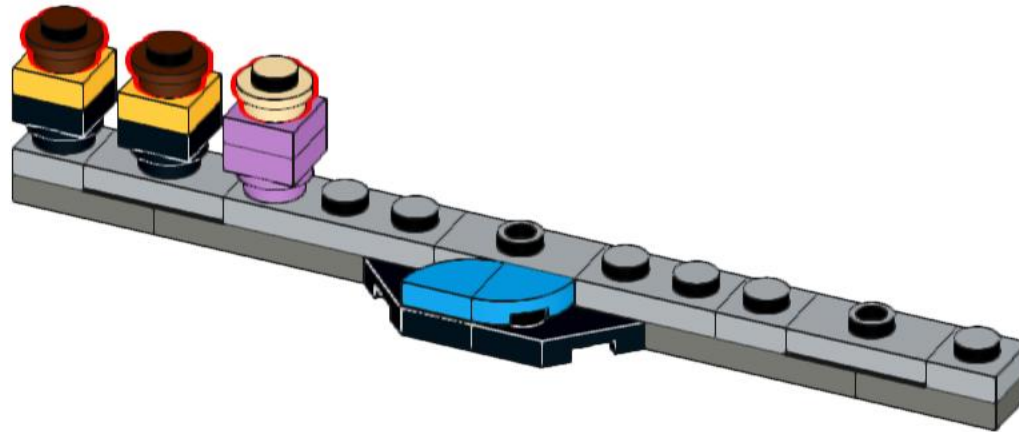
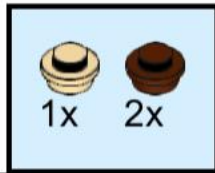
66



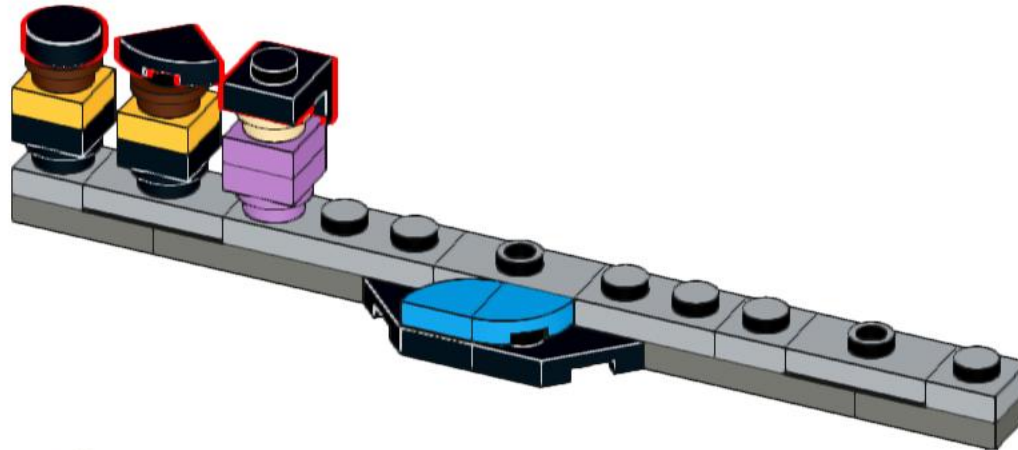
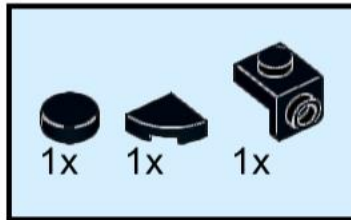
67



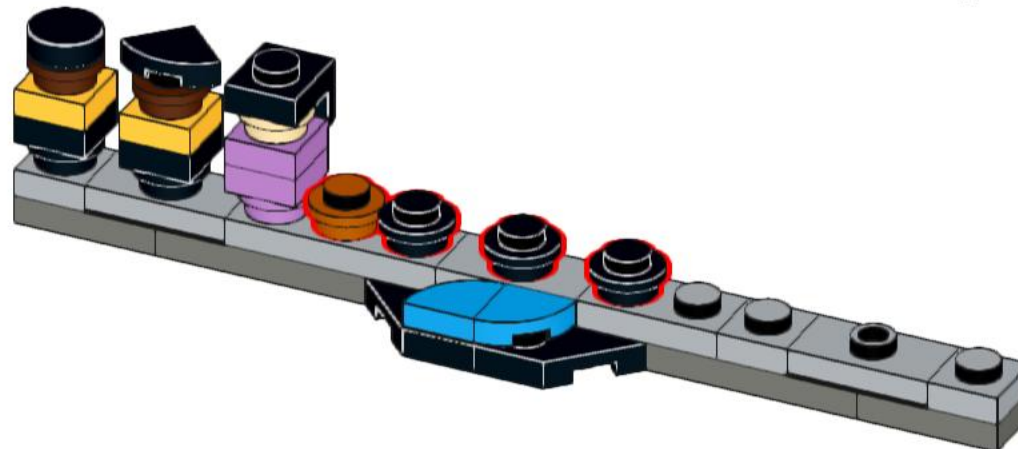
68



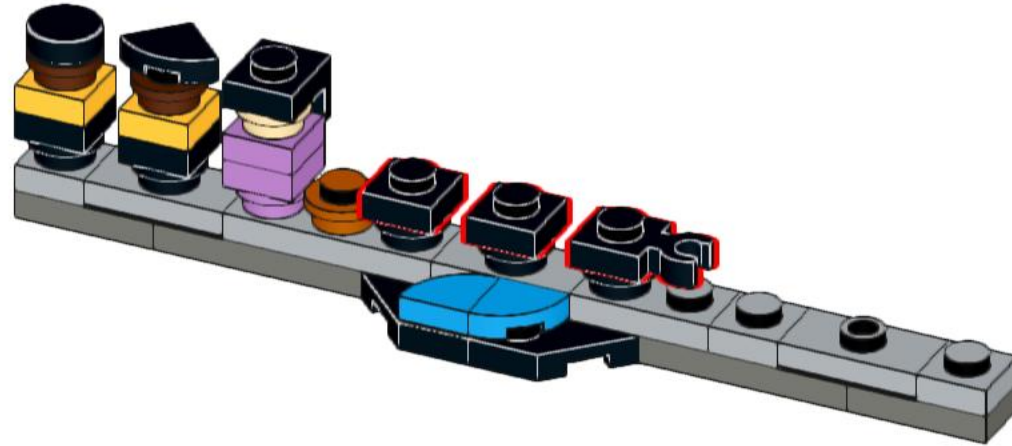
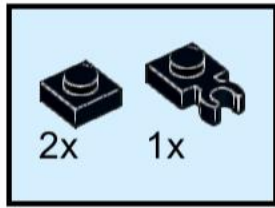
69



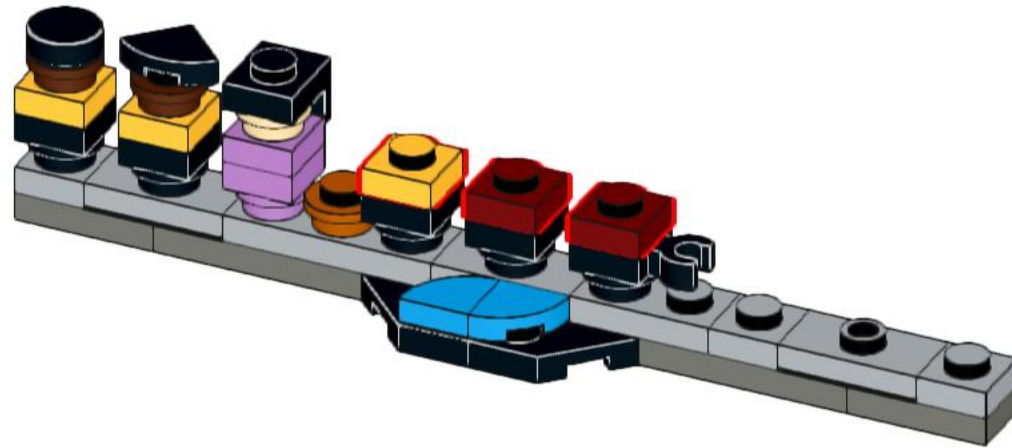
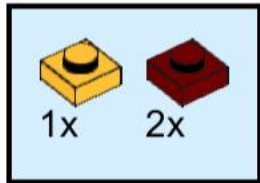
70



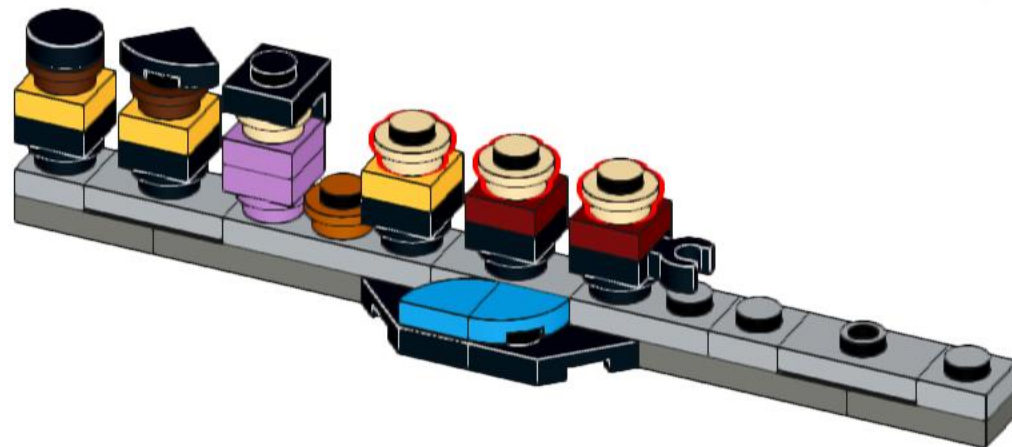
71



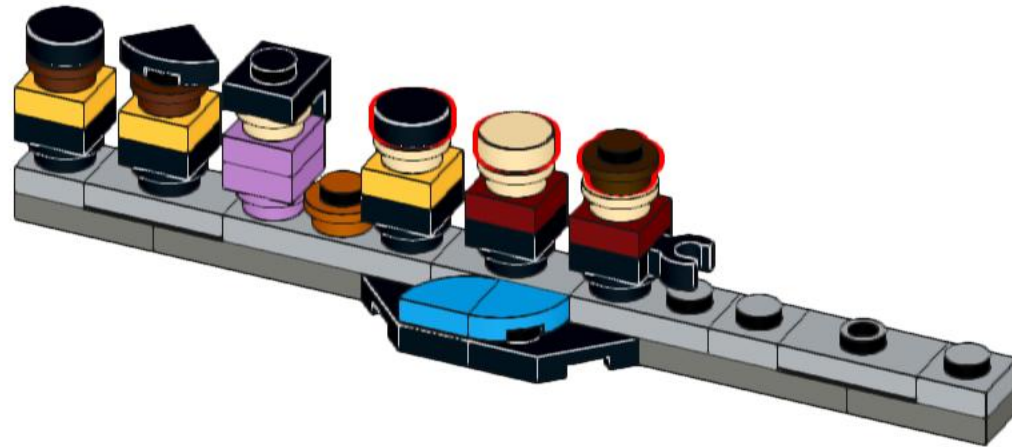
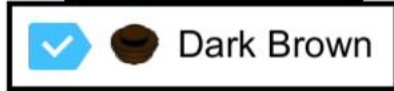
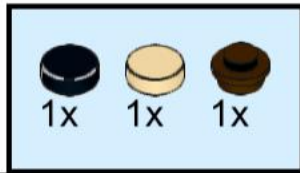
72



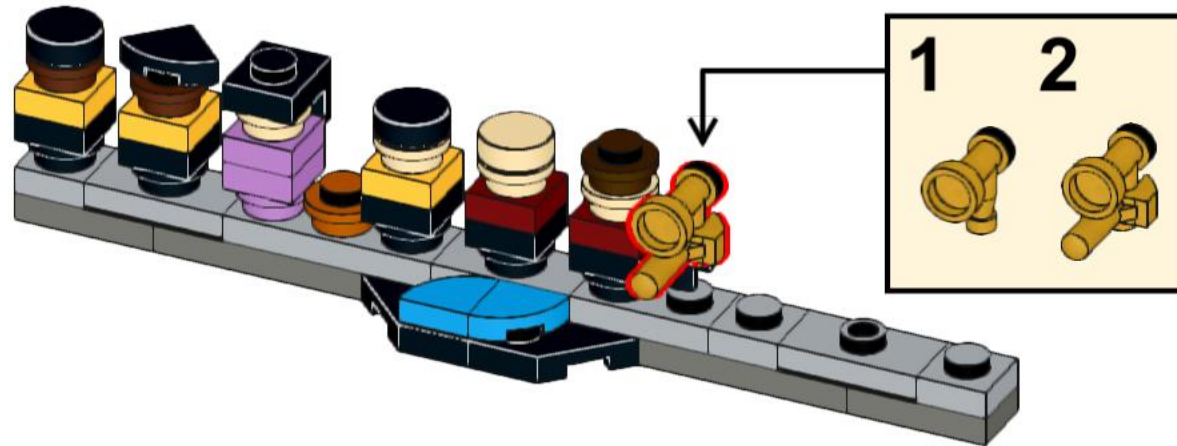
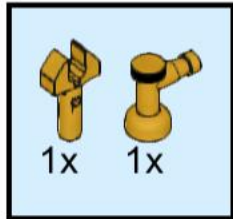
73



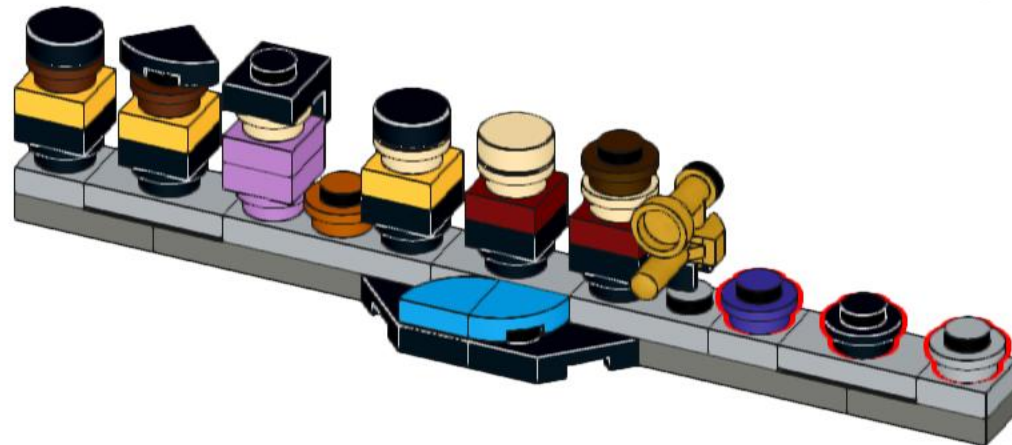
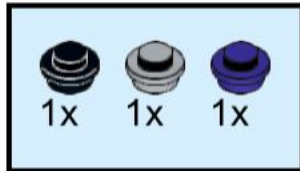
74



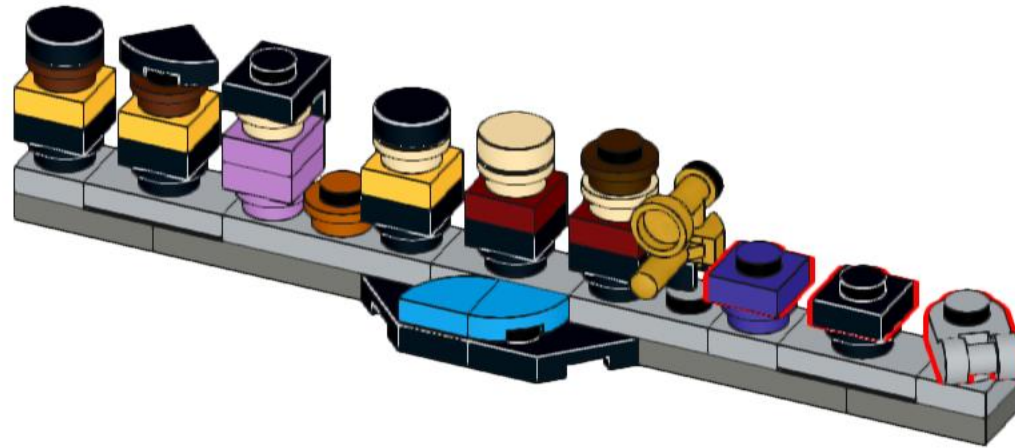
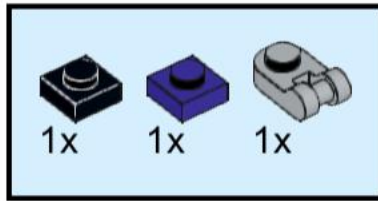
75



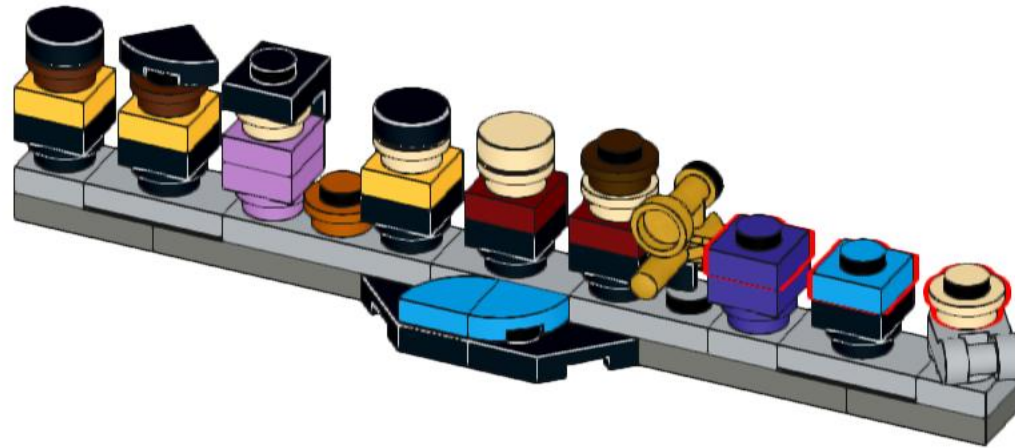
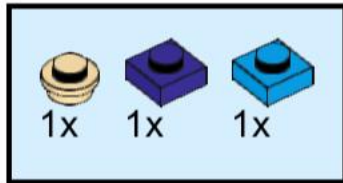
76



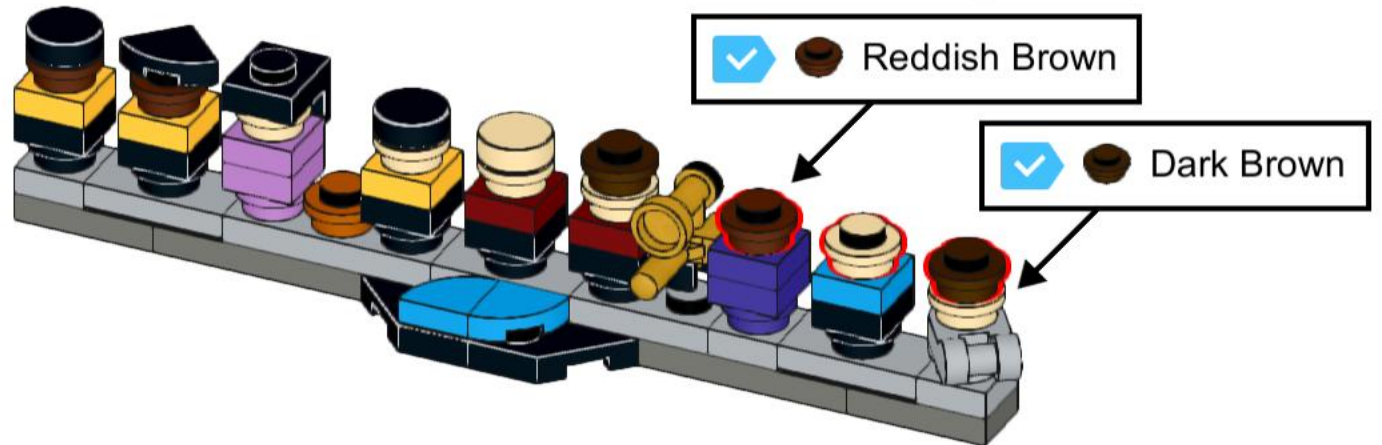
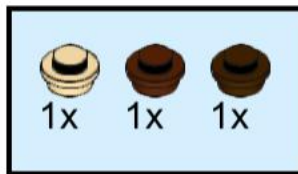
77



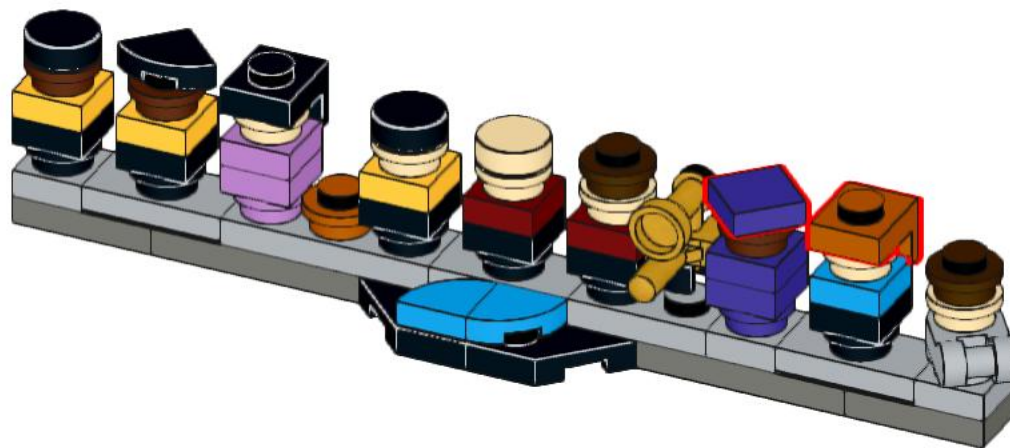
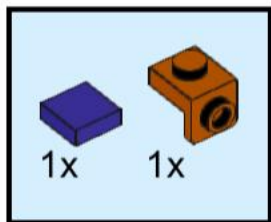
78



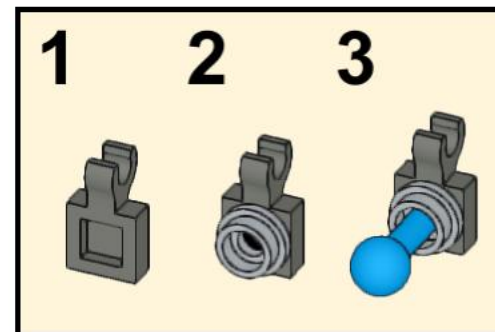
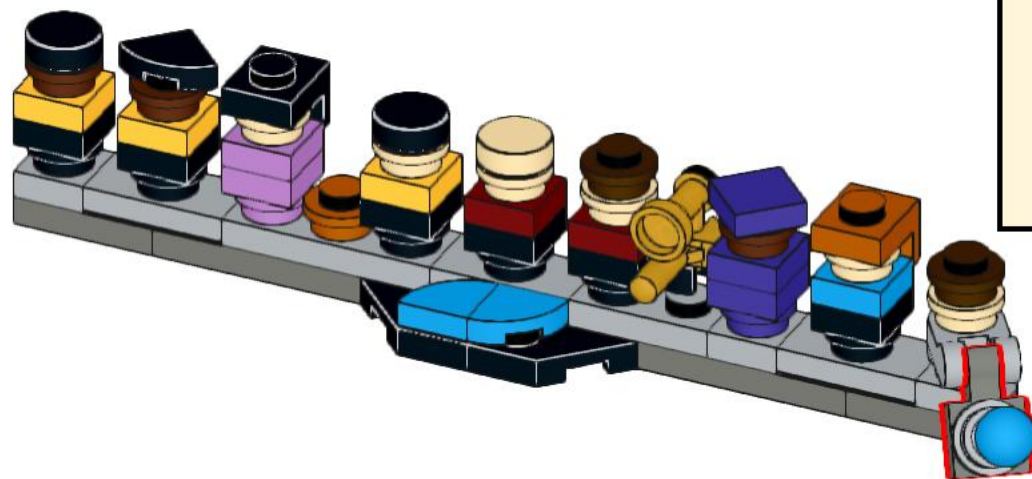
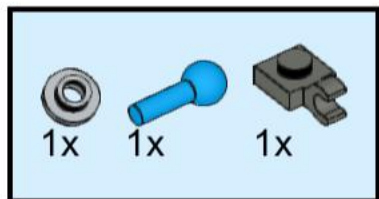
79



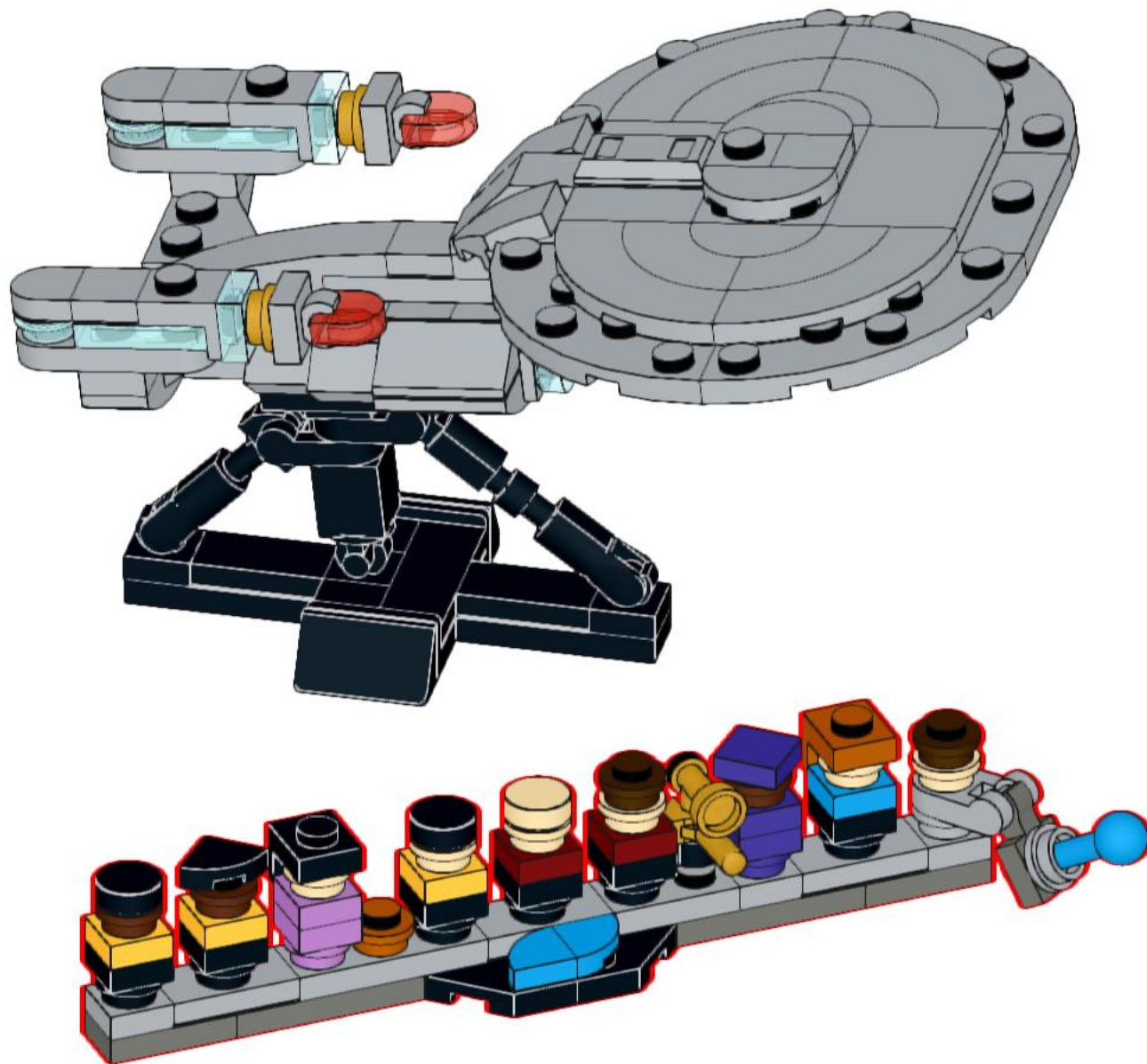
80



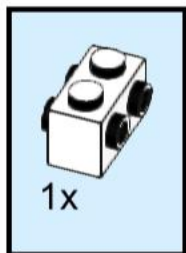
81



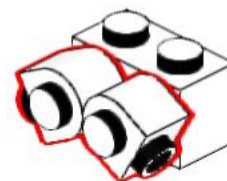
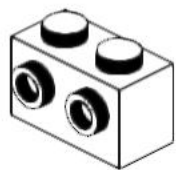
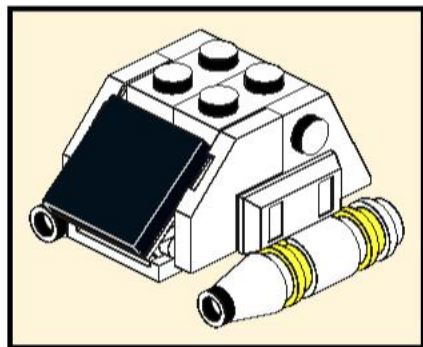
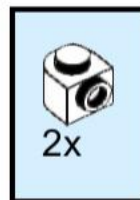
82



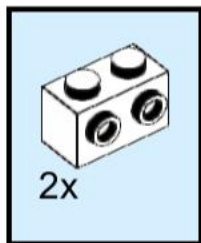
83



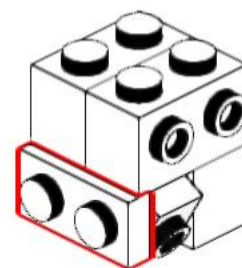
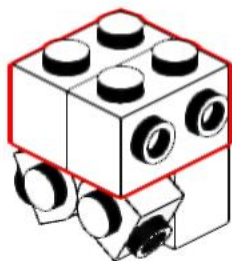
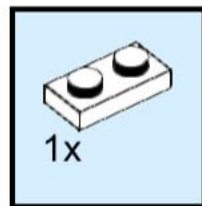
84



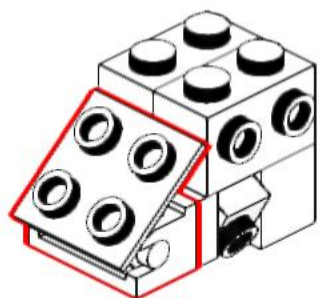
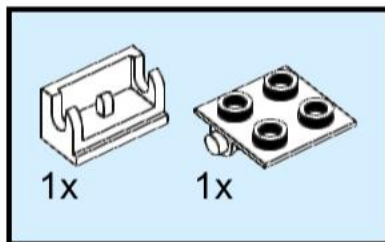
85



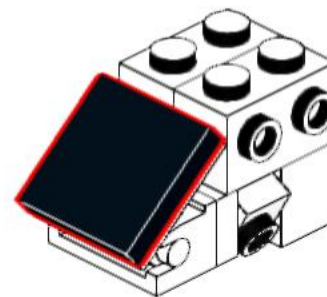
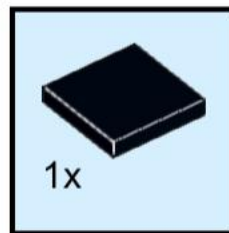
86



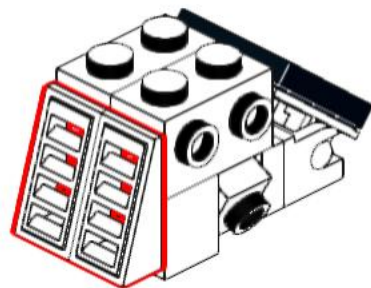
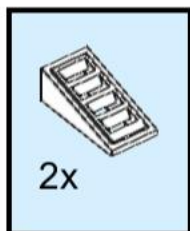
87



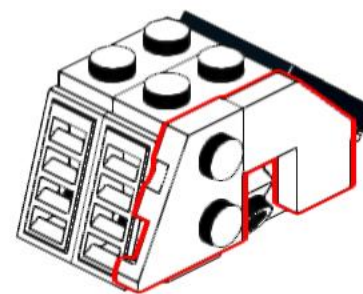
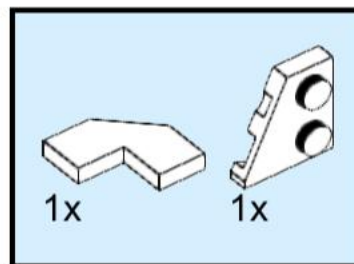
88



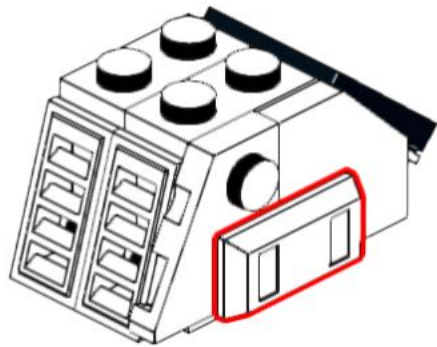
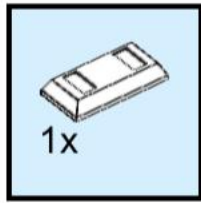
89



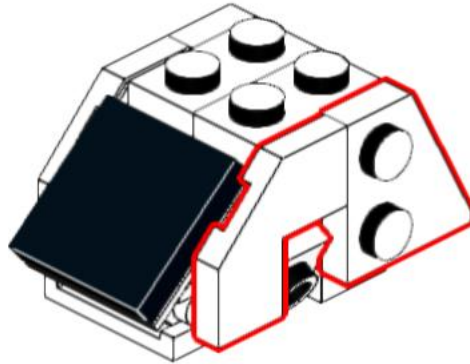
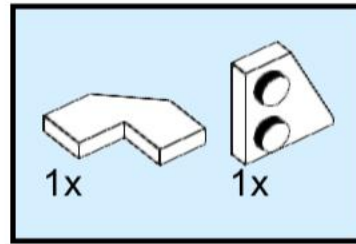
90



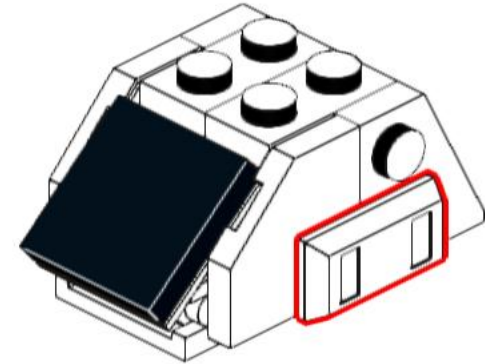
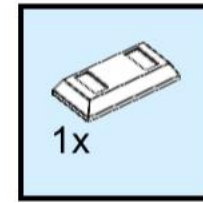
91



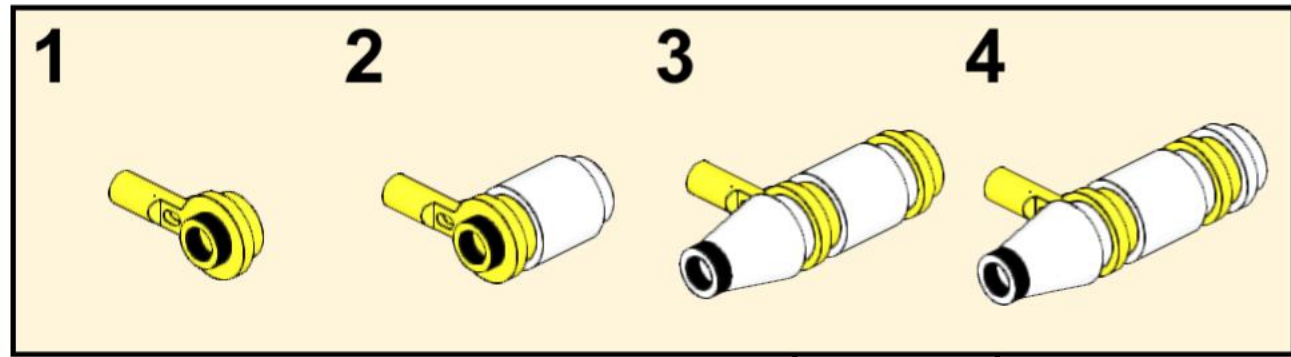
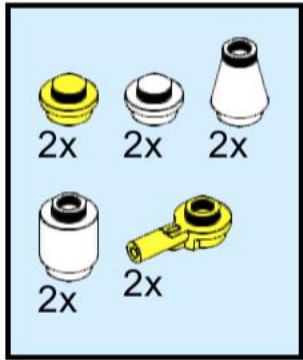
92



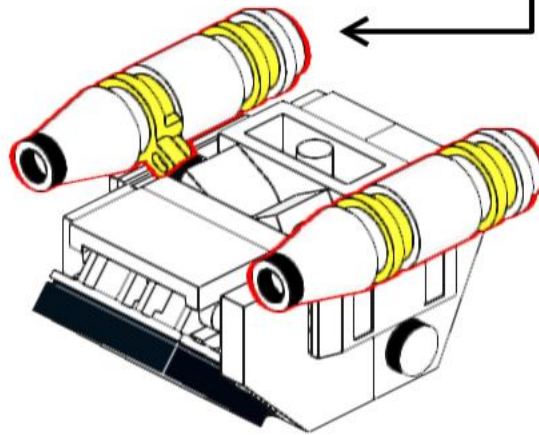
93



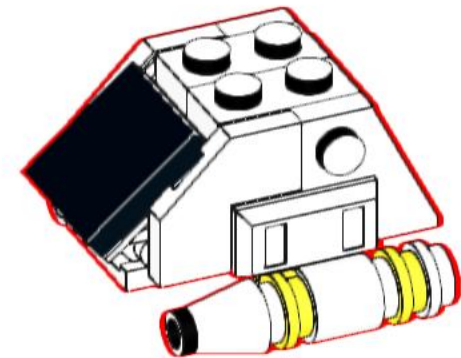
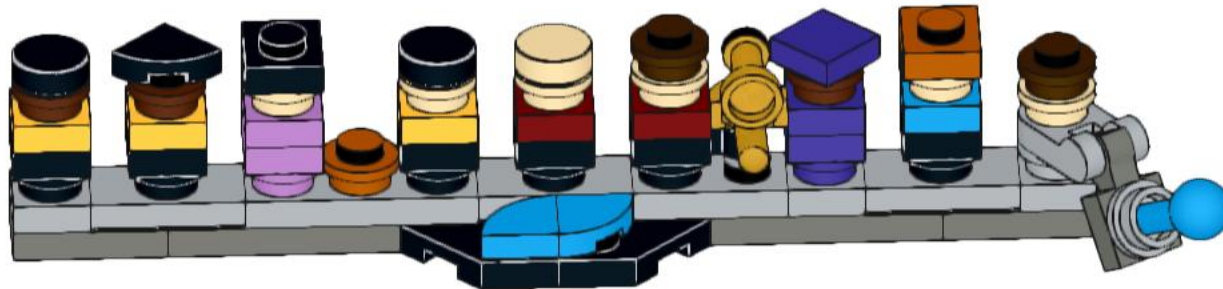
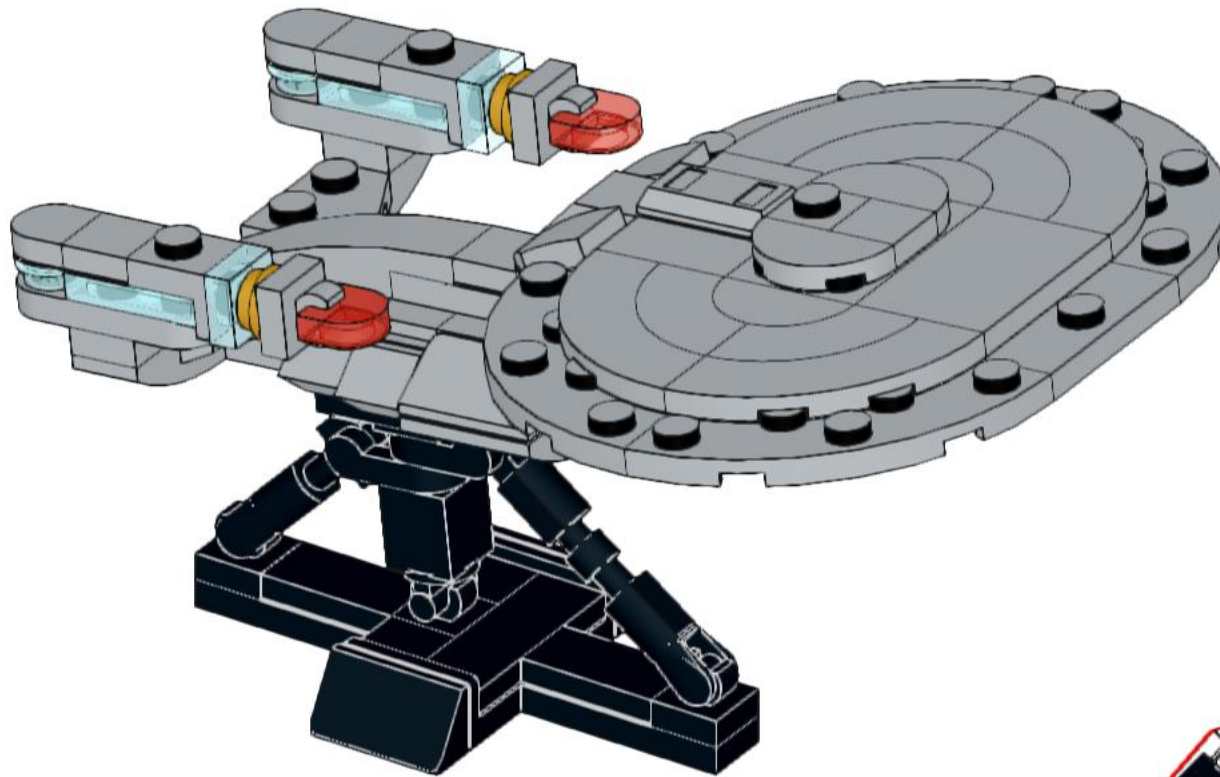
94



2x



95



96

